

TECHNICAL SUPPORT MANUAL

Two Stage Split System Air Conditioner

(C,H,T)CA9

Safety Labeling and Signal Words

DANGER, WARNING, CAUTION, and NOTE

The signal words **DANGER**, **WARNING**, **CAUTION**, and **NOTE** are used to identify levels of hazard seriousness. The signal word **DANGER** is only used on product labels to signify an immediate hazard. The signal words **WARNING**, **CAUTION**, and **NOTE** will be used on product labels and throughout this manual and other manuals that may apply to the product.

DANGER - Immediate hazards which **will** result in severe personal injury or death.

WARNING - Hazards or unsafe practices which **could** result in severe personal injury or death.

CAUTION - Hazards or unsafe practices which **may** result in minor personal injury or product or property damage.

NOTE - Used to highlight suggestions which **will** result in enhanced installation, reliability, or operation.

Signal Words in Manuals

The signal word **WARNING** is used throughout this manual in the following manner:



The signal word **CAUTION** is used throughout this manual in the following manner:



Signal Words on Product Labeling

Signal words are used in combination with colors and/or pictures on product labels.

TABLE OF CONTENTS

Model Number Identification	2-3
R-410A Quick Reference Guide	4
Wiring Diagram Connection	5
Wiring Diagram Schematic	6
R-410A Charging Chart	7
Flash Code	7
Tech Labels (Expanded Data)	8-10
Cooling Multiplying Factors	11-37
Physical Data	38
Accessories	39
CCA9,HCA9,TCA9 Parts List	40-41
Exploded Drawings	42-44

MODELS

CCA924GKA100	HCA924GKA100	TCA924GKA100
CCA936GKA100	HCA936GKA100	TCA936GKA100
CCA948GKA100	HCA948GKA100	TCA948GKA100
CCA960GKA100	HCA960GKA100	TCA960GKA100

DEATH, PERSONAL INJURY, AND/OR PROPERTY DAMAGE HAZARD

Failure to carefully read and follow this warning could result in equipment malfunction, property damage, personal injury and/or death.

Installation or repairs made by unqualified persons could result in equipment malfunction, property damage, personal injury and/or death.

The information contained in this manual is intended for use by a qualified service technician familiar with safety procedures and equipped with the proper tools and test instruments.

Installation must conform with local building codes and with the National Electrical Code NFPA70 current edition or Canadian Electrical Code Part 1 CSA C.22.1.

OUTDOOR UNIT MODEL NUMBER IDENTIFICATION GUIDE (single phase)											
Digit Position:	1	2	3	4	5, 6	7	8	9	10	11	12
Example Part Number:	HCT	C	A	9	24	G	K	A	1	0	0
H = Heil Mainline T = Tempstar Mainline H = Arcoaire Mainline C = Comfortmaker Mainline C = Day & Night Mainline H = Airquest Mainline C = Keeprite Mainline C = Kenmore Mainline H = Kenmore Mainline T = Kenmore Mainline H = ICP Commercial Mainline N = Tempstar Entry BRANDING N = Arcoaire Entry BRANDING N = Comfortmaker Entry BRANDING N = Day & Night Entry BRANDING N = Airquest Entry BRANDING N = Keeprite Entry BRANDING N = Kenmore Entry BRANDING N = Kenmore Entry BRANDING N = Kenmore Entry BRANDING N = ICP Commercial Entry BRANDING											
C = Communicating KEY CHARACTERISTIC											
A = Air Conditioner H = Heat Pump TYPE											
6 = 16 SEER 7 = 17 SEER 8 = 18 SEER 9 = 19 SEER NOMINAL EFFICIENCY											
24 = 24,000 BTUH = 2 tons 36 = 36,000 BTUH = 3 tons 48 = 48,000 BTUH = 4 tons 60 = 60,000 BTUH = 5 tons NOMINAL CAPACITY											
G = Coil Guard Grille FEATURES											
K = 208/230-1-60 VOLTAGE											
Sales Code											
Engineering Revision											
Extra Digit											
Extra Digit											

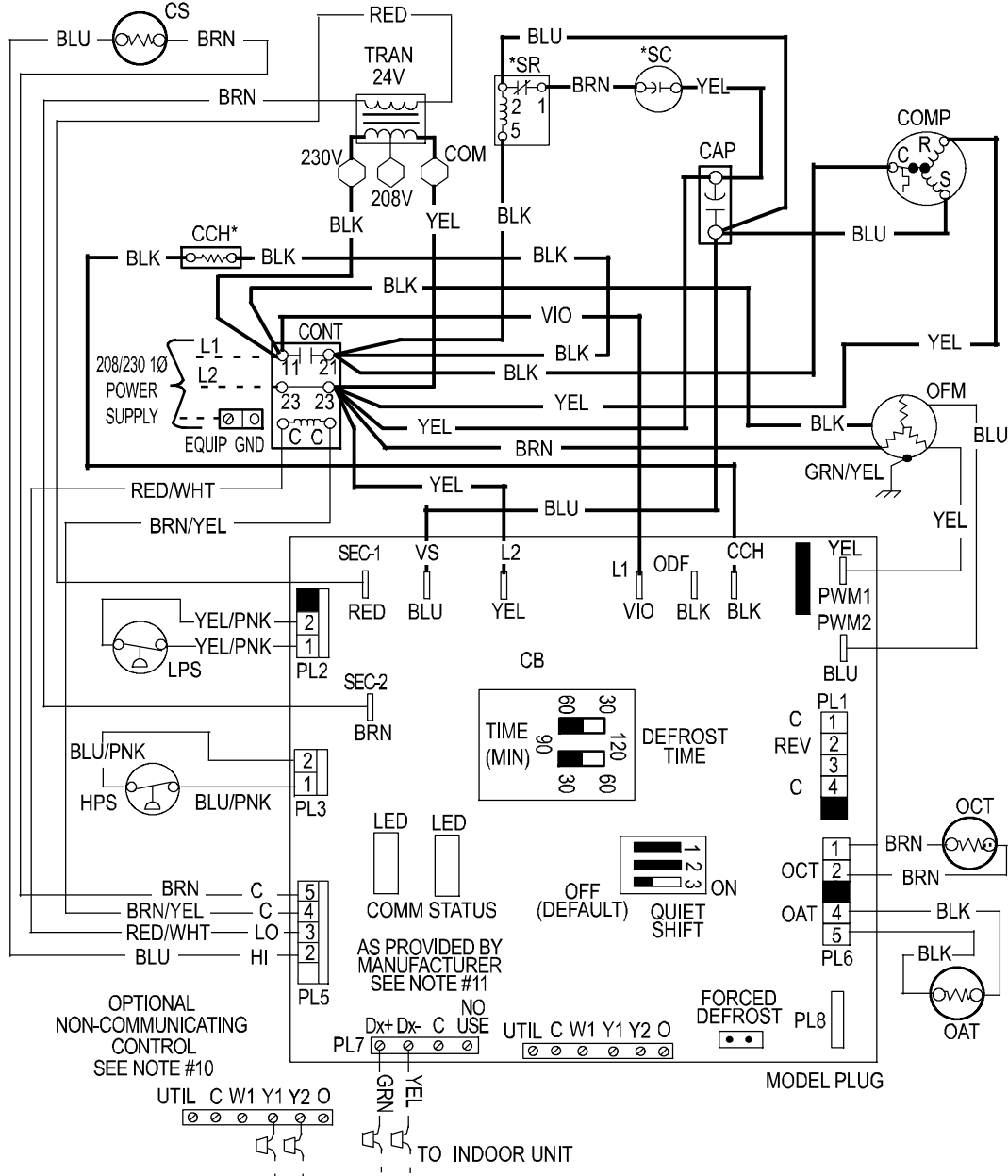
ACCESSORIES PART NUMBER IDENTIFICATION GUIDE								
Digit Position:	1	2	3	4	5	6, 7	8, 9	10, 11
Example Part Number:	N	A	S	A	0	0 1	01	CH
N = Non-Branded								
A = Accessory		PRODUCT GROUP						
S = Split System (AC & HP)				KIT USAGE				
A = Original								
B = 2nd Generation				MAJOR SERIES				
0 = Generic or Not Applicable								
2 = R-22								
4 = R-410A						REFRIGERANT		
Product Identifier Number								
Package Quantity								
Type of Kit (Example: CH = Crankcase Heater)								

R-410A QUICK REFERENCE GUIDE

- R-410A refrigerant operates at 50% – 70% higher pressures than R-22. Be sure that servicing equipment and replacement components are designed to operate with R-410A.
- R-410A refrigerant cylinders are rose colored.
- Recovery cylinder service pressure rating must be 400 psig, DOT 4BA400 or DOT BW400.
- R-410A systems should be charged with liquid refrigerant. Use a commercial type metering device in the manifold hose when charging into suction line with compressor operating.
- Manifold sets should be 750 psig high-side and 200 psig low-side with 520 psig low-side retard.
- Use hoses with 750 psig service pressure rating.
- Leak detectors should be designed to detect HFC refrigerant.
- R-410A, as with other HFC refrigerants, is only compatible with POE oils.
- Vacuum pumps will not remove moisture from oil.
- Do not use liquid line filter-driers with rated working pressures less than 600 psig.
- Do not install a suction line filter-drier in liquid line.
- POE oils absorb moisture rapidly. Do not expose oil to atmosphere.
- POE oils may cause damage to certain plastics and roofing materials.
- Wrap all filter-driers and service valves with wet cloth when brazing.
- A liquid line filter-drier is required on every unit.
- Do not use with an R-22 TXV.
- If indoor unit is equipped with an R-22 TXV, it must be changed to an R-410A TXV.
- Never open system to atmosphere while it is under a vacuum.
- When system must be opened for service, break vacuum with dry nitrogen and replace all filter-driers. Evacuate to 500 microns before recharging.
- Do not vent R-410A into the atmosphere.
- Do not use capillary tube indoor coils.
- Observe all **WARNINGS, CAUTIONS, NOTES**, and **bold** text.

Model Sizes: 24, 36, 48, 60

CONNECTION DIAGRAM



LEGEND

—	FACTORY POWER WIRING	●	JUNCTION	CONT	CONTACTOR	OCT	THERMISTOR COIL
—	FACTORY CONTROL WIRING	CAP	CAPACITOR	CS	COMP HIGH CAP SOLENOID	OFM	OUTDOOR FAN MOTOR
- - -	FIELD CONTROL WIRING	CB	CIRCUIT BOARD	DTS	DISCHARGE TEMP SWITCH	RVS	REVERSING VALVE SOLENOID
- - -	FIELD POWER WIRING	*CCH	CRANKCASE HEATER	HPS	HIGH PRESSURE SWITCH	SC	START CAPACITOR
○	COMPONENT CONNECTION	COMM	SYSTEM COMMUNICATION	LPS	LOW PRESSURE SWITCH	SEV	SOLENOID EXPANSION VALVE
⊕	FIELD SPLICE	COMP	COMPRESSOR	OAT	THERMISTOR (OUTDOOR AIR)	STATUS	SYSTEM FUNCTION LIGHT
						TRAN	TRANSFORMER

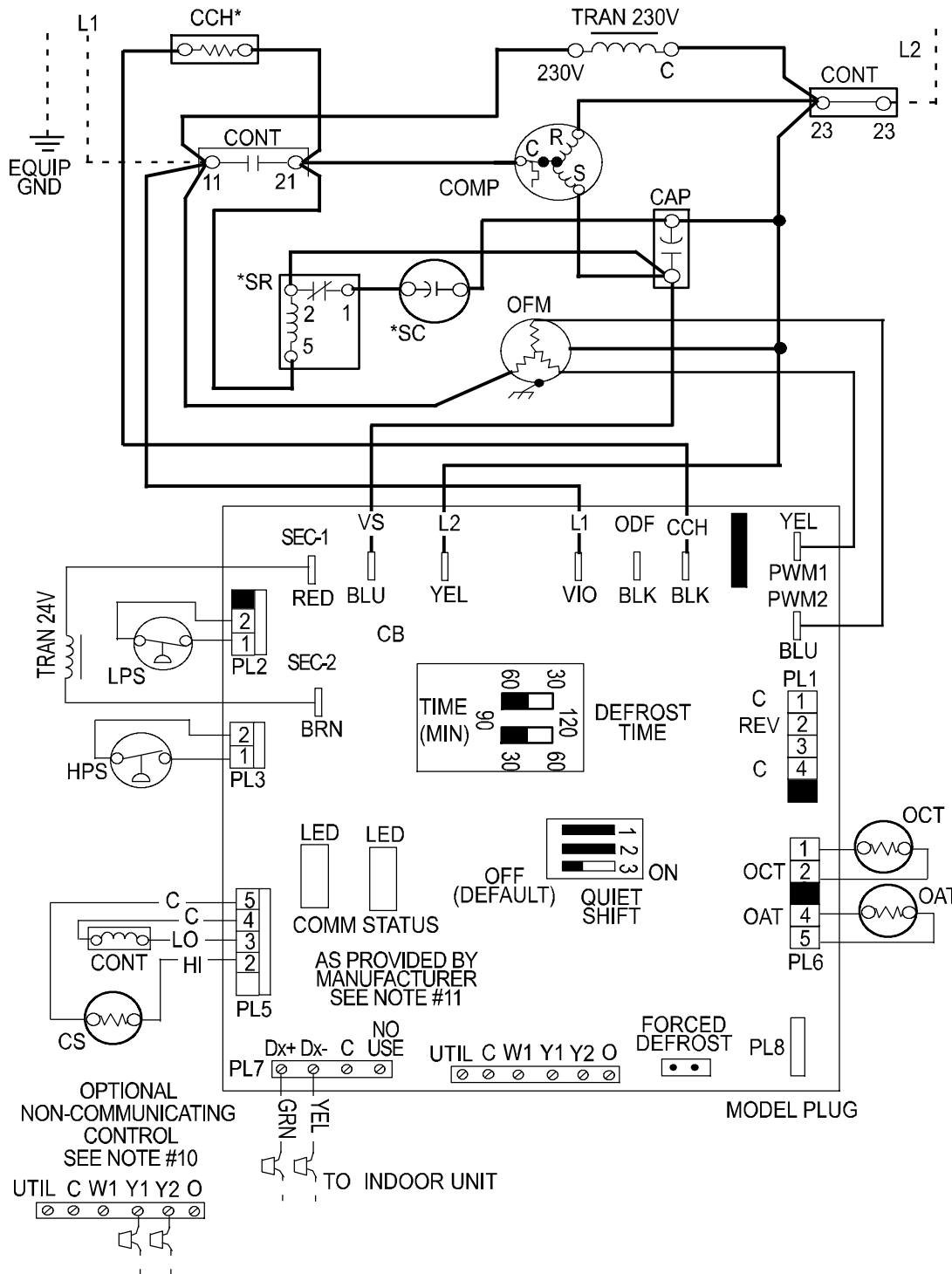
* MAY BE FIELD INSTALLED

NOTES:

- Compressor furnished with inherent thermal protection.
- To be wired in accordance with National Electric Code (N.E.C.) and local codes.
- Outdoor unit control requires a minimum of 27 VA, 24 VAC control power.
- Use copper conductors only. Use conductors suitable for at least 75°C (167°F).
- If indoor section has a transformer with a grounded secondary, connect the grounded side to "C".
- If any of the original wire, as supplied, must be replaced, use the same or equivalent wire.
- Check all electrical connections inside control box for tightness.
- Do not attempt to operate unit until service valves have been opened (Back Seated).
- In case of a communicating indoor system, **USE WITH OBSERVER WALL CONTROL AS LISTED IN PRE-SALE LITERATURE ONLY.**
- In case of non-communicating indoor system disconnect factory provided wires from Dx+ and Dx- terminals. Use factory provided wires to connect to Y1 and Y2 as required by installation instructions. Cap or remove unused factory provided wires. If additional grounding is needed connect to "C" terminal.
- For communicating control only.

Model Sizes: 24, 36, 48, 60

SCHEMATIC DIAGRAM (LADDER FORM)



OPTIONAL
NON-COMMUNICATING
CONTROL
SEE NOTE #10

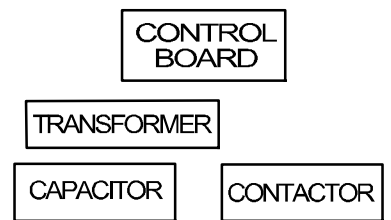
UTIL C W1 Y1 Y2 O

TO INDOOR UNIT

MODEL PLUG CHART

MODEL SIZE	MODEL PLUG HK70EZ	PIN RESISTANCE (K.Ω.)	
		1 - 4 (R1)	2 - 3 (R2)
024	009	5.1	91
036	011	5.1	150
048	013	5.1	220
060	015	5.1	360

COMPONENT ARRANGEMENT



R-410A CHARGING CHART												
Measured Liquid Pressure (psig)	Rating Plate (required) Subcooling Temperature °F (°C)											
	°F 6	(°C) 3	°F 8	(°C) 4	°F 10	(°C) 6	°F 12	(°C) 7	F 14	(°C) 8	F 16	(°C) 9
	R-410A Required Liquid Line Temperature °F (°C)											
251	78	26	76	24	74	23	72	22	70	21	68	20
259	80	27	78	26	76	24	74	23	72	22	70	21
266	82	28	80	27	78	26	76	24	74	23	72	22
274	84	29	82	28	80	27	78	26	76	24	74	23
283	86	30	84	29	82	28	80	27	78	26	76	24
291	88	31	86	30	84	29	82	28	80	27	78	26
299	90	32	88	31	86	30	84	29	82	28	80	27
308	92	33	90	32	88	31	86	30	84	29	82	28
317	94	34	92	33	90	32	88	31	86	30	84	29
326	96	36	94	34	92	33	90	32	88	31	86	30
335	98	37	96	36	94	34	92	33	90	32	88	31
345	100	38	98	37	96	36	94	34	92	33	90	32
364	104	40	102	39	100	38	98	37	96	36	94	34
374	106	41	104	40	102	39	100	38	98	37	96	36
384	108	42	106	41	104	40	102	39	100	38	98	37
395	110	43	108	42	106	41	104	40	102	39	100	38
406	112	44	110	43	108	42	106	41	104	40	102	39
416	114	46	112	44	110	43	108	42	106	41	104	40
427	116	47	114	46	112	44	110	43	108	42	106	41
439	118	48	116	47	114	46	112	44	110	43	108	42
450	120	49	118	48	116	47	114	46	112	44	110	43
462	122	50	120	49	118	48	116	47	114	46	112	44
474	124	51	122	50	120	49	118	48	116	47	114	46

FLASH CODE	FAULT DEFINITION	FLASH CODE	FAULT DEFINITION
On, No Flash	Standby	53	Outdoor Air Temp Sensor
1, Pause	Low Stage	55	Coil Temp Sensor
2, Pause	High Stage	56	Temp Sensor Range Error
Continuous Flash	Emergency Mode	71	Low Stage Thermal Cutout
16	System Communications Failure	72	High Stage Thermal Cutout
25	Invalid Model Plug	73	Contactors Shorted
31	High Pressure Switch Trip	74	Contactors Open (No 230v to Comp)
32	Low Pressure Switch Trip	81	Low Stage Thermal Lockout (4 HRS)
45	Control Fault	82	High Stage Thermal Lockout (4 HRS)
46	Brown out (230V)	83	Low Pressure Lockout (4 HRS)
47	No 230v with Call to Run	84	High Pressure Lockout (4 HRS)

Short flashes indicate the first digit in the status code, followed by long flashes indicating the second digit of the status code.

UNIT OPERATION

This control board contains a five minute short cycle protector. A five minute delay will occur between compressor off/on cycles. To bypass delay, short forced defrost pins for 1 second then release. The crankcase heater is energized during off cycle below 65°F.

- † Total capacities are net (I.D. blower heat subtracted) system capacities based on 25' line set.
If additional tubing length and/or indoor unit is located above outdoor unit, a slight variation in capacity may occur.
- †† At TVA rating indoor condition (75 °F db, 63 °F wb), all other indoor air temperatures are at 80 °F db
If additional tubing length and/or indoor unit is located above outdoor unit, a slight variation in capacity may occur.
- ^ System amps are total of indoor and outdoor amps.
- ‡ Chart data is for 80° F indoor dry bulb. For indoor db temperatures other than 80° F, measure Indoor db and Indoor CFM, and plug these into the formula below. Measure outdoor db and indoor wet bulb, apply these to the chart above, find MBh and S/T, and plug these into the formula below.
(Note: if indoor db is the only thing changing, total capacity, MBh, stays the same.).05

$$\text{Sensible Capacity at Indoor db LOWER than } 80^{\circ}\text{ F} = (\text{MBh} \times \text{S/T}) - \left(\frac{(\text{80} - \text{Indoor db}) \times 835 \times \text{In-door CFM}}{1000} \right)$$

$$\text{Sensible Capacity at Indoor db HIGHER than } 80^{\circ}\text{ F} = (\text{MBh} \times \text{S/T}) + \left(\frac{(\text{Indoor db} - 80) \times 835 \times \text{In-door CFM}}{1000} \right)$$

COOLING Multiplying Factors for other Indoor Combinations 33										
COOLING INDOOR MODEL	HIGH SPEED CAPACITY	POWER	LOW SPEED CAPACITY	POWER	FURNACE MODEL	COOLING INDOOR MODEL	HIGH SPEED CAPACITY	POWER	LOW SPEED CAPACITY	FURNACE MODEL
(C,H,T)CA9 24										
*FCM4X48***	1.00	1.00	1.00	1.00		EN(A,D)4X24*17**	0.95	1.02	0.95	*9MA*0801714A**
EA*4X24*14A*	0.97	1.02	0.96	1.04	*8MV*0701412**	EN(A,D)4X24*17**	0.93	1.06	0.9	*9MV*0401410A**
EA*4X24*14A*	0.94	1.02	0.92	0.98	*8MX*0451408**	EN(A,D)4X24*17**	0.94	1.02	0.92	*9MV*0601714A**
EA*4X24*14A*	0.94	1.06	0.91	1.02	*9MV*0401410A**	EN(A,D)4X24*17**	0.94	1.01	0.92	*9MV*0801716A**
EA*4X24*14A*	0.94	1.12	0.92	1.17		EN(A,D)4X24*17**	0.94	1.10	0.9	*9MX*0401410A**
EA*4X24*17A*	0.97	1.02	0.97	1.04	*8MV*0701412**	EN(A,D)4X24*17**	0.97	1.08	0.95	*9MX*0601714A**
EA*4X24*17A*	0.97	1.02	0.97	1.02	*8MV*0901716**	EN(A,D)4X24*17**	0.95	1.00	0.92	MV08B15**B*
EA*4X24*17A*	0.95	1.02	0.92	0.98	*8MX*0451408**	EN(A,D)4X24*17**	0.97	1.08	0.91	OLV098A12A
EA*4X24*17A*	0.95	1.04	0.95	1.06	*9MA*0601714A**	EN(A,D)4X24*17**	0.95	1.04	0.91	OMV098J12A
EA*4X24*17A*	0.95	1.02	0.95	1.04	*9MA*0801714A**	EN(A,D)4X24*17**	0.97	1.06	0.97	OMV112K14A
EA*4X24*17A*	0.94	1.06	0.91	1.02	*9MV*0401410A**	EN(A,D)4X24*17**	0.94	1.12	0.92	
EA*4X24*17A*	0.94	1.01	0.93	0.99	*9MV*0601714A**	EN(A,D)4X30*14**	0.98	1.03	0.97	*8MV*0701412**
EA*4X24*17A*	0.94	1.02	0.93	0.98	*9MV*0801716A**	EN(A,D)4X30*14**	0.95	1.02	0.92	*8MX*0451408**
EA*4X24*17A*	0.94	1.10	0.9	0.99	*9MX*0401410A**	EN(A,D)4X30*14**	0.94	1.06	0.91	*9MV*0401410A**
EA*4X24*17A*	0.97	1.06	0.95	1.01	*9MX*0601714A**	EN(A,D)4X30*14**	0.95	1.11	0.9	*9MX*0401410A**
EA*4X24*17A*	0.95	0.99	0.92	0.94	MV08B15**B*	EN(A,D)4X30*14**	0.95	1.13	0.92	
EA*4X24*17A*	0.97	1.06	0.9	0.95	OLV098A12A	EN(A,D)4X30*17**	0.98	1.03	0.97	*8MV*0701412**
EA*4X24*17A*	0.95	1.02	0.91	0.95	OMV098J12A	EN(A,D)4X30*17**	0.98	1.01	0.97	*8MV*0901716**
EA*4X24*17A*	0.98	1.05	0.97	1.01	OMV112K14A	EN(A,D)4X30*17**	0.96	1.03	0.93	*8MX*0451408**
EA*4X24*17A*	0.94	1.12	0.92	1.17		EN(A,D)4X30*17**	0.96	1.03	0.95	*9MA*0601714A**
EA*4X30*14A*	0.98	1.03	0.97	1.04	*8MV*0701412**	EN(A,D)4X30*17**	0.96	1.03	0.96	*9MA*0801714A**
EA*4X30*14A*	0.95	1.02	0.92	0.98	*8MX*0451408**	EN(A,D)4X30*17**	0.94	1.07	0.91	*9MV*0401410A**
EA*4X30*14A*	0.94	1.06	0.91	1.02	*9MV*0401410A**	EN(A,D)4X30*17**	0.95	1.02	0.93	*9MV*0601714A**

COOLING Multiplying Factors for other Indoor Combinations (continued)33

COOLING INDOOR MODEL	HIGH SPEED CAPACITY	POWER	LOW SPEED CAPACITY	FURNACE MODEL	COOLING INDOOR MODEL	HIGH SPEED CAPACITY	POWER	LOW SPEED CAPACITY	FURNACE MODEL	COOLING INDOOR MODEL	HIGH SPEED CAPACITY	POWER	LOW SPEED CAPACITY	FURNACE MODEL
EA*4X30*14A*	0.95	1.11	0.9	*9MX*0401410A**	EN(A,D)4X30*17**	0.95	1.00	0.94	*9MV*0801716A**	EN(A,D)4X30*17**	0.95	1.00	0.94	*9MV*0801716A**
EA*4X30*14A*	0.95	1.13	0.92		EN(A,D)4X30*17**	0.95	1.11	0.90	*9MX*0401410A**	EN(A,D)4X30*17**	0.95	1.11	0.90	*9MX*0401410A**
EA*4X30*17A*	0.98	1.03	0.97	*8MV*0701412**	EN(A,D)4X30*17**	0.98	1.08	0.95	*9MX*0601714A**	EN(A,D)4X30*17**	0.98	1.08	0.95	*9MX*0601714A**
EA*4X30*17A*	0.98	1.01	0.97	*8MV*0901716**	EN(A,D)4X30*17**	0.96	1.00	0.92	MV08B15**B*	EN(A,D)4X30*17**	0.96	1.00	0.92	MV08B15**B*
EA*4X30*17A*	0.96	1.03	0.93	*8MX*0451408**	EN(A,D)4X30*17**	0.98	1.05	0.91	OLV098A12A	EN(A,D)4X30*17**	0.98	1.05	0.91	OLV098A12A
EA*4X30*17A*	0.96	1.03	0.95	*9MA*0601714A**	EN(A,D)4X30*17**	0.96	1.03	0.91	OMV098J12A	EN(A,D)4X30*17**	0.96	1.03	0.91	OMV098J12A
EA*4X30*17A*	0.96	1.01	0.95	*9MA*0801714A**	EN(A,D)4X30*17**	0.98	1.04	0.97	OMV112K14A	EN(A,D)4X30*17**	0.98	1.04	0.97	OMV112K14A
EA*4X30*17A*	0.94	1.07	0.91	*9MV*0401410A**	EN(A,D)4X30*17**	0.95	1.13	0.92		EN(A,D)4X30*17**	0.95	1.13	0.92	
EA*4X30*17A*	0.95	1.02	0.93	*9MV*0601714A**	EN(A,D)4X31*17**	0.99	1.03	0.99	*8MV*0701412**	EN(A,D)4X31*17**	0.99	1.03	0.99	*8MV*0701412**
EA*4X30*17A*	0.95	1.00	0.94	*9MV*0801716A**	EN(A,D)4X31*17**	1.00	1.01	1.00	*8MV*0901716**	EN(A,D)4X31*17**	1.00	1.01	1.00	*8MV*0901716**
EA*4X30*17A*	0.95	1.11	0.9	*9MX*0401410A**	EN(A,D)4X31*17**	0.98	1.03	0.95	*8MX*0451408**	EN(A,D)4X31*17**	0.98	1.03	0.95	*8MX*0451408**
EA*4X30*17A*	0.98	1.08	0.95	*9MX*0601714A**	EN(A,D)4X31*17**	0.98	1.04	0.98	*9MA*0601714A**	EN(A,D)4X31*17**	0.98	1.04	0.98	*9MA*0601714A**
EA*4X30*17A*	0.96	1.00	0.92	MV08B15**B*	EN(A,D)4X31*17**	0.98	1.02	0.98	*9MA*0801714A**	EN(A,D)4X31*17**	0.98	1.02	0.98	*9MA*0801714A**
EA*4X30*17A*	0.98	1.05	0.9	OLV098A12A	EN(A,D)4X31*17**	0.97	1.06	0.93	*9MV*0401410A**	EN(A,D)4X31*17**	0.97	1.06	0.93	*9MV*0401410A**
EA*4X30*17A*	0.96	1.03	0.91	OMV098J12A	EN(A,D)4X31*17**	0.97	1.02	0.95	*9MV*0601714A**	EN(A,D)4X31*17**	0.97	1.02	0.95	*9MV*0601714A**
EA*4X30*17A*	0.98	1.04	0.97	OMV112K14A	EN(A,D)4X31*17**	0.98	1.01	0.96	*9MV*0801716A**	EN(A,D)4X31*17**	0.98	1.01	0.96	*9MV*0801716A**
EA*4X30*17A*	0.95	1.13	0.92		EN(A,D)4X31*17**	0.98	1.11	0.92	*9MX*0401410A**	EN(A,D)4X31*17**	0.98	1.11	0.92	*9MX*0401410A**
EA*4X36*14A*	0.98	1.03	0.97	*8MV*0701412**	EN(A,D)4X31*17**	1.01	1.08	0.97	*9MX*0601714A**	EN(A,D)4X31*17**	1.01	1.08	0.97	*9MX*0601714A**
EA*4X36*14A*	0.96	1.03	0.93	*8MX*0451408**	EN(A,D)4X31*17**	0.98	0.99	0.94	MV08B15**B*	EN(A,D)4X31*17**	0.98	0.99	0.94	MV08B15**B*
EA*4X36*14A*	0.94	1.07	0.91	*9MV*0401410A**	EN(A,D)4X31*17**	1.00	1.05	0.92	OLV098A12A	EN(A,D)4X31*17**	1.00	1.05	0.92	OLV098A12A
EA*4X36*14A*	0.96	1.12	0.9	*9MX*0401410A**	EN(A,D)4X31*17**	0.98	1.03	0.93	OMV098J12A	EN(A,D)4X31*17**	0.98	1.03	0.93	OMV098J12A
EA*4X36*14A*	0.95	1.13	0.92		EN(A,D)4X31*17**	1.01	1.04	0.99	OMV112K14A	EN(A,D)4X31*17**	1.01	1.04	0.99	OMV112K14A
EA*4X36*17A*	0.98	1.01	0.97	*8MV*0701412**	EN(A,D)4X31*17**	0.98	1.14	0.94	*8MV*0901716**	EN(A,D)4X31*17**	0.98	1.14	0.94	*8MV*0901716**
EA*4X36*17A*	0.98	1.01	0.97	*8MV*0901716**	EN(A,D)4X36*21**	0.98	1.01	0.97		EN(A,D)4X36*21**	0.98	1.01	0.97	

COOLING Multiplying Factors for other Indoor Combinations (continued)33

COOLING INDOOR MODEL	HIGH SPEED CAPACITY	POWER	LOW SPEED CAPACITY	POWER	FURNACE MODEL	COOLING INDOOR MODEL	HIGH SPEED CAPACITY	POWER	LOW SPEED CAPACITY	POWER	FURNACE MODEL	COOLING INDOOR MODEL	HIGH SPEED CAPACITY	POWER	LOW SPEED CAPACITY	POWER	FURNACE MODEL
EA*4X36*17A*	0.96	1.01	0.93	0.98	*8MX*0451408**	EN(A,D)4X36*21**	0.98	1.01	0.97	1.02	*8MV*1102120**	EN(A,D)4X36*21**	0.98	1.01	0.97	1.02	*8MV*1102120**
EA*4X36*17A*	0.96	1.03	0.96	0.96	*9MA*0601714A**	EN(A,D)4X36*21**	0.96	1.03	0.95	1.05	*9MA*0601714A**	EN(A,D)4X36*21**	0.96	1.03	0.95	1.05	*9MA*0601714A**
EA*4X36*17A*	0.97	1.02	0.96	0.96	*9MA*0801714A**	EN(A,D)4X36*21**	0.96	1.03	0.96	1.05	*9MA*0602120A**	EN(A,D)4X36*21**	0.96	1.03	0.96	1.05	*9MA*0602120A**
EA*4X36*17A*	0.94	1.06	0.92	0.96	*9MV*0401410A**	EN(A,D)4X36*21**	0.96	1.01	0.96	1.04	*9MA*0801714A**	EN(A,D)4X36*21**	0.96	1.01	0.96	1.04	*9MA*0801714A**
EA*4X36*17A*	0.95	1.02	0.94	0.99	*9MV*0601714A**	EN(A,D)4X36*21**	0.97	1.02	0.96	1.02	*9MA*0802120A**	EN(A,D)4X36*21**	0.97	1.02	0.96	1.02	*9MA*0802120A**
EA*4X36*17A*	0.96	1.01	0.95	0.99	*9MV*0801716A**	EN(A,D)4X36*21**	0.97	1.02	0.96	1.02	*9MA*1002122A**	EN(A,D)4X36*21**	0.97	1.02	0.96	1.02	*9MA*1002122A**
EA*4X36*17A*	0.96	1.12	0.91	0.99	*9MX*0401410A**	EN(A,D)4X36*21**	0.95	1.02	0.93	0.99	*9MV*0601714A**	EN(A,D)4X36*21**	0.95	1.02	0.93	0.99	*9MV*0601714A**
EA*4X36*17A*	0.98	1.08	0.95	1.01	*9MX*0601714A**	EN(A,D)4X36*21**	0.95	1.00	0.94	0.99	*9MV*0801716A**	EN(A,D)4X36*21**	0.95	1.00	0.94	0.99	*9MV*0801716A**
EA*4X36*17A*	0.96	1.00	0.92	0.94	MV08B15**B*	EN(A,D)4X36*21**	0.98	1.08	0.95	1.02	*9MX*0601714A**	EN(A,D)4X36*21**	0.98	1.08	0.95	1.02	*9MX*0601714A**
EA*4X36*17A*	0.98	1.06	0.91	0.95	OLV098A12A	EN(A,D)4X36*21**	0.96	1.00	0.92	0.95	MV12F19**B*	EN(A,D)4X36*21**	0.96	1.00	0.92	0.95	MV12F19**B*
EA*4X36*17A*	0.96	1.03	0.92	0.95	OMV098J12A	EN(A,D)4X36*21**	0.98	1.05	0.91	0.95	OLV098A12A	EN(A,D)4X36*21**	0.98	1.05	0.91	0.95	OLV098A12A
EA*4X36*17A*	0.98	1.02	0.97	0.99	OMV112K14A	EN(A,D)4X36*21**	0.96	1.03	0.91	0.95	OMV098J12A	EN(A,D)4X36*21**	0.96	1.03	0.91	0.95	OMV098J12A
EA*4X36*17A*	0.95	1.13	0.92	1.16		EN(A,D)4X36*21**	0.98	1.04	0.97	1.00	OMV112K14A	EN(A,D)4X36*21**	0.98	1.04	0.97	1.00	OMV112K14A
EA*4X36*21A*	0.98	1.01	0.98	1.01	*8MV*0901716**	EN(A,D)4X36*21**	0.95	1.13	0.92	1.17		EN(A,D)4X36*21**	0.95	1.13	0.92	1.17	
EA*4X36*21A*	0.98	1.01	0.98	1.01	*8MV*1102120**	EN(A,D)4X37*17**	1.01	1.02	1.01	1.03	*8MV*0701412**	EN(A,D)4X37*17**	1.01	1.02	1.01	1.03	*8MV*0701412**
EA*4X36*21A*	0.97	1.04	0.96	1.04	*9MA*0601714A**	EN(A,D)4X37*17**	1.01	1.02	1.01	1.01	*8MV*0901716**	EN(A,D)4X37*17**	1.01	1.02	1.01	1.01	*8MV*0901716**
EA*4X36*21A*	0.97	1.02	0.96	1.03	*9MA*0602120A**	EN(A,D)4X37*17**	0.99	1.03	0.95	0.98	*8MX*0451408**	EN(A,D)4X37*17**	0.99	1.03	0.95	0.98	*8MX*0451408**
EA*4X36*21A*	0.97	1.02	0.96	1.02	*9MA*0801714A**	EN(A,D)4X37*17**	0.99	1.03	0.99	1.05	*9MA*0601714A**	EN(A,D)4X37*17**	0.99	1.03	0.99	1.05	*9MA*0601714A**
EA*4X36*21A*	0.97	1.00	0.96	1.01	*9MA*0802120A**	EN(A,D)4X37*17**	0.99	1.03	0.99	1.03	*9MA*0801714A**	EN(A,D)4X37*17**	0.99	1.03	0.99	1.03	*9MA*0801714A**
EA*4X36*21A*	0.97	1.00	0.96	1.00	*9MA*1002122A**	EN(A,D)4X37*17**	0.98	1.07	0.95	1.02	*9MV*0401410A**	EN(A,D)4X37*17**	0.98	1.07	0.95	1.02	*9MV*0401410A**
EA*4X36*21A*	0.96	1.01	0.95	1.00	*9MV*0601714A**	EN(A,D)4X37*17**	0.98	1.02	0.96	1.00	*9MV*0601714A**	EN(A,D)4X37*17**	0.98	1.02	0.96	1.00	*9MV*0601714A**
EA*4X36*21A*	0.97	1.02	0.95	1.00	*9MV*0801716A**	EN(A,D)4X37*17**	0.99	1.03	0.97	0.99	*9MV*0801716A**	EN(A,D)4X37*17**	0.99	1.03	0.97	0.99	*9MV*0801716A**
EA*4X36*21A*	0.96	1.00	0.92	0.95	MV12F19**B*	EN(A,D)4X37*17**	0.98	1.10	0.93	0.99	*9MX*0401410A**	EN(A,D)4X37*17**	0.98	1.10	0.93	0.99	*9MX*0401410A**
EA*4X36*21A*	0.98	1.06	0.91	0.95	OLV098A12A	EN(A,D)4X37*17**	1.02	1.07	0.99	1.02	*9MX*0601714A**	EN(A,D)4X37*17**	1.02	1.07	0.99	1.02	*9MX*0601714A**

COOLING Multiplying Factors for other Indoor Combinations (continued)33

COOLING INDOOR MODEL	HIGH SPEED CAPACITY	POWER	LOW SPEED CAPACITY	POWER	FURNACE MODEL	COOLING INDOOR MODEL	HIGH SPEED CAPACITY	POWER	LOW SPEED CAPACITY	POWER	FURNACE MODEL	COOLING INDOOR MODEL	HIGH SPEED CAPACITY	POWER	LOW SPEED CAPACITY	POWER	FURNACE MODEL
EA*4X36*21A*	0.96	1.01	0.92	0.95	OMV098J12A	EN(A,D)4X37*17**	0.98	0.98	0.95	0.94	MV08B15**B*	EN(A,D)4X37*17**	0.98	0.98	0.95	0.94	MV08B15**B*
EA*4X36*21A*	0.99	1.03	0.97	0.98	OMV112K14A	EN(A,D)4X37*17**	1.01	1.04	0.98	0.94	OLV098A12A	EN(A,D)4X37*17**	1.01	1.04	0.93	0.94	OLV098A12A
EA*4X36*21A*	0.95	1.13	0.92	1.16		EN(A,D)4X37*17**	0.98	1.02	0.95	0.95	OMV098J12A	EN(A,D)4X37*17**	0.98	1.02	0.94	0.95	OMV098J12A
ED*4X24B**	0.95	1.00	0.92	0.95	MV08B15**B*	EN(A,D)4X37*17**	1.02	1.03	0.95	1.00	OMV112K14A	EN(A,D)4X37*17**	1.02	1.03	1.01	1.00	OMV112K14A
ED*4X24F**	0.95	0.99	0.92	0.94	MV08B15**B*	EN(A,D)4X37*17**	0.98	1.15	0.94	1.16		EN(A,D)4X37*17**	0.98	1.15	0.95	1.16	
ED*4X24F**	0.95	0.99	0.92	0.96	MV12F19**B*	EN(A,D)4X36*17**	0.98	1.03	0.96	1.03	*8MV*0701412**	EN(A,D)4X36*17**	0.98	1.03	0.97	1.03	*8MV*0701412**
ED*4X30B**	0.96	1.00	0.92	0.94	MV08B15**B*	EN(A,D)4X36*17**	0.98	1.01	0.94	1.01	*8MV*0901716**	EN(A,D)4X36*17**	0.98	1.01	0.97	1.01	*8MV*0901716**
ED*4X30F**	0.96	1.00	0.92	0.94	MV08B15**B*	EN(A,D)4X36*17**	0.96	1.03	0.94	0.98	*8MX*0451408**	EN(A,D)4X36*17**	0.96	1.03	0.93	0.98	*8MX*0451408**
ED*4X30F**	0.96	1.00	0.92	0.96	MV12F19**B*	EN(A,D)4X36*17**	0.96	1.03	0.96	1.05	*9MA*0601714A**	EN(A,D)4X36*17**	0.96	1.03	0.95	1.05	*9MA*0601714A**
ED*4X36B**	0.96	1.00	0.92	0.94	MV08B15**B*	EN(A,D)4X36*17**	0.96	1.03	0.94	1.04	*9MA*0801714A**	EN(A,D)4X36*17**	0.96	1.03	0.96	1.04	*9MA*0801714A**
ED*4X36F**	0.98	1.01	0.97	1.00	*8MV*0901716**	EN(A,D)4X36*17**	0.94	1.07	1.00	1.01	*9MV*0401410A**	EN(A,D)4X36*17**	0.94	1.07	0.91	1.01	*9MV*0401410A**
ED*4X36F**	0.98	1.01	0.97	1.01	*8MV*1102120**	EN(A,D)4X36*17**	0.95	1.02	1.01	0.99	*9MV*0601714A**	EN(A,D)4X36*17**	0.95	1.02	0.93	0.99	*9MV*0601714A**
ED*4X36F**	0.96	1.03	0.96	1.05	*9MA*0601714A**	EN(A,D)4X36*17**	0.95	1.00	1.03	0.99	*9MV*0801716A**	EN(A,D)4X36*17**	0.95	1.00	0.94	0.99	*9MV*0801716A**
ED*4X36F**	0.97	1.02	0.96	1.03	*9MA*0801714A**	EN(A,D)4X36*17**	0.95	1.11	1.03	1.01	*9MX*0401410A**	EN(A,D)4X36*17**	0.95	1.11	0.9	0.99	*9MX*0401410A**
ED*4X36F**	0.95	1.02	0.94	0.99	*9MV*0601714A**	EN(A,D)4X36*17**	0.98	1.08	0.99	1.02	*9MX*0601714A**	EN(A,D)4X36*17**	0.98	1.08	0.95	1.02	*9MX*0601714A**
ED*4X36F**	0.96	1.01	0.95	0.99	*9MV*0801716A**	EN(A,D)4X36*17**	0.96	1.00	0.99	0.94	MV08B15**B*	EN(A,D)4X36*17**	0.96	1.00	0.92	0.94	MV08B15**B*
ED*4X36F**	0.98	1.08	0.95	1.01	*9MX*0601714A**	EN(A,D)4X36*17**	0.98	1.05	1.01	0.95	OLV098A12A	EN(A,D)4X36*17**	0.98	1.05	0.91	0.95	OLV098A12A
ED*4X36F**	0.96	1.00	0.92	0.94	MV08B15**B*	EN(A,D)4X36*17**	0.96	1.03	0.94	0.95	OMV098J12A	EN(A,D)4X36*17**	0.96	1.03	0.91	0.95	OMV098J12A
ED*4X36F**	0.96	1.00	0.92	0.95	MV12F19**B*	EN(A,D)4X36*17**	0.98	1.04	0.95	1.00	OMV112K14A	EN(A,D)4X36*17**	0.98	1.04	0.97	1.00	OMV112K14A
ED*4X36F**	0.98	1.06	0.91	0.95	OLV098A12A	EN(A,D)4X36*17**	0.95	1.13	0.95	1.17		EN(A,D)4X36*17**	0.95	1.13	0.92	1.17	
ED*4X36F**	0.96	1.03	0.92	0.95	OMV098J12A	ENH4X24*17**	0.97	1.04	0.95	1.06	*8MV*0701412**	ENH4X24*17**	0.97	1.04	0.97	1.06	*8MV*0701412**
ED*4X36F**	0.98	1.02	0.97	0.99	OMV112K14A	ENH4X24*17**	0.97	1.02	0.99	1.04	*8MV*0901716**	ENH4X24*17**	0.97	1.02	0.97	1.04	*8MV*0901716**
ED*4X36F**	0.95	1.13	0.92	1.16		ENH4X24*17**	0.97	1.04	1.01	1.06	*8MV*1102120**	ENH4X24*17**	0.97	1.04	0.97	1.06	*8MV*1102120**
ED*4X36J**	0.96	1.00	0.92	0.95	MV12F19**B*	ENH4X24*17**	0.97	1.02	0.95	1.04	*8MV*1352422**	ENH4X24*17**	0.97	1.02	0.97	1.04	*8MV*1352422**

COOLING Multiplying Factors for other Indoor Combinations (continued)33

COOLING INDOOR MODEL	HIGH SPEED CAPACITY	POWER	LOW SPEED CAPACITY	POWER	FURNACE MODEL	COOLING INDOOR MODEL	HIGH SPEED CAPACITY	POWER	LOW SPEED CAPACITY	POWER	FURNACE MODEL	COOLING INDOOR MODEL	HIGH SPEED CAPACITY	POWER	LOW SPEED CAPACITY	POWER	FURNACE MODEL
EHD4X24A**	0.98	1.03	0.98	1.06	*8MV*0701412**	ENH4X24*17**	0.94	1.02	0.92	0.98	*8MX*0451408**	ENH4X24*17**	0.94	1.02	0.92	0.98	*8MV*0451408**
EHD4X24A**	0.98	1.03	0.98	1.05	*8MV*0901716**	ENH4X24*17**	0.95	1.04	0.95	1.08	*9MA*0601714A**	ENH4X24*17**	0.95	1.04	0.95	1.08	*9MA*0601714A**
EHD4X24A**	0.98	1.03	0.98	1.07	*8MV*1102120**	ENH4X24*17**	0.95	1.02	0.95	1.06	*9MA*0801714A**	ENH4X24*17**	0.95	1.02	0.95	1.06	*9MA*0801714A**
EHD4X24A**	0.98	1.03	0.98	1.05	*8MV*1352422**	ENH4X24*17**	0.95	1.02	0.95	1.05	*9MA*1202422A**	ENH4X24*17**	0.95	1.02	0.95	1.05	*9MA*1202422A**
EHD4X24A**	0.95	1.02	0.92	0.98	*8MX*0451408**	ENH4X24*17**	0.93	1.06	0.9	1.01	*9MV*0401410A**	ENH4X24*17**	0.93	1.06	0.9	1.01	*9MV*0401410A**
EHD4X24A**	0.96	1.05	0.96	1.09	*9MA*0601714A**	ENH4X24*17**	0.94	1.02	0.92	0.99	*9MV*0601714A**	ENH4X24*17**	0.94	1.02	0.92	0.99	*9MV*0601714A**
EHD4X24A**	0.96	1.03	0.96	1.07	*9MA*0602120A**	ENH4X24*17**	0.94	1.01	0.92	0.98	*9MV*0801716A**	ENH4X24*17**	0.94	1.01	0.92	0.98	*9MV*0801716A**
EHD4X24A**	0.97	1.04	0.96	1.06	*9MA*0801714A**	ENH4X24*17**	0.94	1.01	0.93	0.99	*9MV*1202422A**	ENH4X24*17**	0.94	1.01	0.93	0.99	*9MV*1202422A**
EHD4X24A**	0.97	1.04	0.97	1.06	*9MA*0802120A**	ENH4X24*17**	0.94	1.10	0.9	1.00	*9MX*0401410A**	ENH4X24*17**	0.94	1.10	0.9	1.00	*9MX*0401410A**
EHD4X24A**	0.97	1.04	0.97	1.05	*9MA*1002122A**	ENH4X24*17**	0.97	1.08	0.95	1.02	*9MX*0601714A**	ENH4X24*17**	0.97	1.08	0.95	1.02	*9MX*0601714A**
EHD4X24A**	0.97	1.04	0.97	1.07	*9MA*1202422A**	ENH4X24*17**	0.95	1.00	0.92	0.95	MV08B15**B*	ENH4X24*17**	0.95	1.00	0.92	0.95	MV08B15**B*
EHD4X24A**	0.94	1.06	0.91	1.02	*9MV*0401410A**	ENH4X24*17**	0.97	1.08	0.91	0.96	OLV098A12A	ENH4X24*17**	0.97	1.08	0.91	0.96	OLV098A12A
EHD4X24A**	0.94	1.02	0.91	0.97	*9MV*0601714A**	ENH4X24*17**	0.95	1.04	0.91	0.96	OMV098J12A	ENH4X24*17**	0.95	1.04	0.91	0.96	OMV098J12A
EHD4X24A**	0.94	1.02	0.92	0.97	*9MV*0801716A**	ENH4X24*17**	0.97	1.06	0.97	1.03	OMV112K14A	ENH4X24*17**	0.97	1.06	0.97	1.03	OMV112K14A
EHD4X24A**	0.94	1.02	0.93	0.99	*9MV*1202422A**	ENH4X24*17**	0.94	1.12	0.92	1.16		ENH4X24*17**	0.94	1.12	0.92	1.16	
EHD4X24A**	0.95	1.11	0.9	1.00	*9MX*0401410A**	ENH4X30*17**	0.98	1.03	0.97	1.03	*8MV*0701412**	ENH4X30*17**	0.98	1.03	0.97	1.03	*8MV*0701412**
EHD4X24A**	0.98	1.07	0.95	1.03	*9MX*0601714A**	ENH4X30*17**	0.98	1.01	0.97	1.01	*8MV*0901716**	ENH4X30*17**	0.98	1.01	0.97	1.01	*8MV*0901716**
EHD4X24A**	0.96	1.00	0.93	0.96	MV08B15**B*	ENH4X30*17**	0.98	1.01	0.97	1.02	*8MV*1102120**	ENH4X30*17**	0.98	1.01	0.97	1.02	*8MV*1102120**
EHD4X24A**	0.96	1.00	0.93	0.97	MV12F19**B*	ENH4X30*17**	0.98	1.01	0.97	1.01	*8MV*1352422**	ENH4X30*17**	0.98	1.01	0.97	1.01	*8MV*1352422**
EHD4X24A**	0.98	1.07	0.92	0.97	OLV098A12A	ENH4X30*17**	0.96	1.03	0.93	0.98	*8MX*0451408**	ENH4X30*17**	0.96	1.03	0.93	0.98	*8MX*0451408**
EHD4X24A**	0.96	1.05	0.92	0.97	OMV098J12A	ENH4X30*17**	0.96	1.03	0.95	1.05	*9MA*0601714A**	ENH4X30*17**	0.96	1.03	0.95	1.05	*9MA*0601714A**
EHD4X24A**	0.98	1.08	0.98	1.04	OMV112K14A	ENH4X30*17**	0.96	1.03	0.96	1.04	*9MA*0801714A**	ENH4X30*17**	0.96	1.03	0.96	1.04	*9MA*0801714A**
EHD4X24A**	0.96	1.14	0.93	1.16		ENH4X30*17**	0.96	1.01	0.96	1.03	*9MA*1202422A**	ENH4X30*17**	0.96	1.01	0.96	1.03	*9MA*1202422A**
EHD4X30A**	0.98	1.04	0.98	1.04	*8MV*0701412**	ENH4X30*17**	0.94	1.07	0.91	1.01	*9MV*0401410A**	ENH4X30*17**	0.94	1.07	0.91	1.01	*9MV*0401410A**

COOLING Multiplying Factors for other Indoor Combinations (continued)33

COOLING INDOOR MODEL	HIGH SPEED CAPACITY	POWER	LOW SPEED CAPACITY	POWER	FURNACE MODEL	COOLING INDOOR MODEL	HIGH SPEED CAPACITY	POWER	LOW SPEED CAPACITY	POWER	FURNACE MODEL	COOLING INDOOR MODEL	HIGH SPEED CAPACITY	POWER	LOW SPEED CAPACITY	POWER	FURNACE MODEL
EHD4X30A**	0.98	1.02	0.99	1.03	*8MV*0901716**	ENH4X30*17**	0.95	1.02	0.93	0.99	*9MV*0601714A**	ENH4X30*17**	0.95	1.02	0.93	0.99	*9MV*0601714A**
EHD4X30A**	0.98	1.02	0.98	1.03	*8MV*1102120**	ENH4X30*17**	0.95	1.00	0.94	0.99	*9MV*0801716A**	ENH4X30*17**	0.95	1.00	0.94	0.99	*9MV*0801716A**
EHD4X30A**	0.98	1.02	0.99	1.03	*8MV*1352422**	ENH4X30*17**	0.96	1.01	0.95	1.00	*9MV*1202422A**	ENH4X30*17**	0.96	1.01	0.95	1.00	*9MV*1202422A**
EHD4X30A**	0.96	1.03	0.94	0.99	*8MX*0451408**	ENH4X30*17**	0.95	1.11	0.9	0.99	*9MX*0401410A**	ENH4X30*17**	0.95	1.11	0.9	0.99	*9MX*0401410A**
EHD4X30A**	0.97	1.04	0.97	1.07	*9MA*0601714A**	ENH4X30*17**	0.98	1.08	0.95	1.02	*9MX*0601714A**	ENH4X30*17**	0.98	1.08	0.95	1.02	*9MX*0601714A**
EHD4X30A**	0.97	1.04	0.97	1.06	*9MA*0602120A**	ENH4X30*17**	0.96	1.00	0.92	0.94	MV08B15**B*	ENH4X30*17**	0.96	1.00	0.92	0.94	MV08B15**B*
EHD4X30A**	0.97	1.02	0.97	1.05	*9MA*0801714A**	ENH4X30*17**	0.98	1.05	0.91	0.95	OLV098A12A	ENH4X30*17**	0.98	1.05	0.91	0.95	OLV098A12A
EHD4X30A**	0.97	1.02	0.97	1.03	*9MA*0802120A**	ENH4X30*17**	0.96	1.03	0.91	0.95	OMV098J12A	ENH4X30*17**	0.96	1.03	0.91	0.95	OMV098J12A
EHD4X30A**	0.97	1.02	0.97	1.03	*9MA*1002122A**	ENH4X30*17**	0.98	1.04	0.97	1.00	OMV112K14A	ENH4X30*17**	0.98	1.04	0.97	1.00	OMV112K14A
EHD4X30A**	0.97	1.02	0.97	1.04	*9MA*1202422A**	ENH4X30*17**	0.95	1.13	0.92	1.17		ENH4X30*17**	0.95	1.13	0.92	1.17	
EHD4X30A**	0.94	1.06	0.92	1.02	*9MV*0401410A**	ENH4X31*17**	0.99	1.03	0.99	1.03	*8MV*0701412**	ENH4X31*17**	0.99	1.03	0.99	1.03	*8MV*0701412**
EHD4X30A**	0.95	1.02	0.94	0.99	*9MV*0601714A**	ENH4X31*17**	1.00	1.01	1.00	1.02	*8MV*0901716**	ENH4X31*17**	1.00	1.01	1.00	1.02	*8MV*0901716**
EHD4X30A**	0.96	1.01	0.95	0.99	*9MV*0801716A**	ENH4X31*17**	1.00	1.01	1.00	1.02	*8MV*1102120**	ENH4X31*17**	1.00	1.01	1.00	1.02	*8MV*1102120**
EHD4X30A**	0.96	1.01	0.95	1.00	*9MV*1202422A**	ENH4X31*17**	1.00	1.01	1.00	1.01	*8MV*1352422**	ENH4X31*17**	1.00	1.01	1.00	1.01	*8MV*1352422**
EHD4X30A**	0.96	1.12	0.91	0.99	*9MX*0401410A**	ENH4X31*17**	0.98	1.04	0.95	0.98	*8MX*0451408**	ENH4X31*17**	0.98	1.04	0.95	0.98	*8MX*0451408**
EHD4X30A**	0.98	1.08	0.96	1.02	*9MX*0601714A**	ENH4X31*17**	0.98	1.04	0.98	1.05	*9MA*0601714A**	ENH4X31*17**	0.98	1.04	0.98	1.05	*9MA*0601714A**
EHD4X30A**	0.97	1.00	0.93	0.94	MV08B15**B*	ENH4X31*17**	0.98	1.02	0.98	1.03	*9MA*0801714A**	ENH4X31*17**	0.98	1.02	0.98	1.03	*9MA*0801714A**
EHD4X30A**	0.97	1.00	0.93	0.96	MV12F19**B*	ENH4X31*17**	0.98	1.02	0.98	1.02	*9MA*1202422A**	ENH4X31*17**	0.98	1.02	0.98	1.02	*9MA*1202422A**
EHD4X30A**	0.98	1.08	0.92	0.96	OLV098A12A	ENH4X31*17**	0.97	1.06	0.93	1.01	*9MV*0401410A**	ENH4X31*17**	0.97	1.06	0.93	1.01	*9MV*0401410A**
EHD4X30A**	0.97	1.04	0.93	0.96	OMV098J12A	ENH4X31*17**	0.97	1.02	0.95	0.99	*9MV*0601714A**	ENH4X31*17**	0.97	1.02	0.95	0.99	*9MV*0601714A**
EHD4X30A**	0.99	1.04	0.98	1.01	OMV112K14A	ENH4X31*17**	0.98	1.01	0.96	1.00	*9MV*0801716A**	ENH4X31*17**	0.98	1.01	0.96	1.00	*9MV*0801716A**
EHD4X30A**	0.96	1.14	0.93	1.16		ENH4X31*17**	0.98	1.02	0.98	1.01	*9MV*1202422A**	ENH4X31*17**	0.98	1.02	0.98	1.01	*9MV*1202422A**
EHD4X36A**	0.99	1.03	0.99	1.03	*8MV*0701412**	ENH4X31*17**	0.98	1.11	0.93	1.00	*9MX*0401410A**	ENH4X31*17**	0.98	1.11	0.93	1.00	*9MX*0401410A**
EHD4X36A**	0.99	1.01	0.99	1.01	*8MV*0901716**	ENH4X31*17**	1.01	1.08	0.98	1.02	*9MX*0601714A**	ENH4X31*17**	1.01	1.08	0.98	1.02	*9MX*0601714A**

COOLING Multiplying Factors for other Indoor Combinations (continued)33

COOLING INDOOR MODEL	HIGH SPEED CAPACITY	POWER	LOW SPEED CAPACITY	FURNACE MODEL	COOLING INDOOR MODEL	HIGH SPEED CAPACITY	POWER	LOW SPEED CAPACITY	FURNACE MODEL	COOLING INDOOR MODEL	HIGH SPEED CAPACITY	POWER	LOW SPEED CAPACITY	FURNACE MODEL
EHD4X36A**	0.99	1.01	0.99	*8MV*1102120**	ENH4X36*17**	0.98	0.99	0.94	MV08B15**B*					
EHD4X36A**	0.99	1.01	0.99	*8MV*1352422**	ENH4X36*17**	1.00	1.05	0.93	OLV098A12A					
EHD4X36A**	0.98	1.03	0.94	*8MX*0451408**	ENH4X36*17**	0.98	1.03	0.93	OMV098J12A					
EHD4X36A**	0.98	1.03	0.98	*9MA*0601714A**	ENH4X36*17**	1.01	1.04	1.00	OMV112K14A					
EHD4X36A**	0.98	1.03	0.98	*9MA*0602120A**	ENH4X36*17**	0.98	1.14	0.94						
EHD4X36A**	0.98	1.02	0.98	*9MA*0801714A**	ENH4X36*17**	0.98	1.03	0.97	*8MV*0701412**					
EHD4X36A**	0.98	1.02	0.98	*9MA*0802120A**	ENH4X36*17**	0.98	1.01	0.97	*8MV*0901716**					
EHD4X36A**	0.98	1.02	0.98	*9MA*1002122A**	ENH4X36*17**	0.98	1.01	0.97	*8MV*1102120**					
EHD4X36A**	0.98	1.02	0.98	*9MA*1202422A**	ENH4X36*17**	0.98	1.01	0.97	*8MV*1352422**					
EHD4X36A**	0.96	1.05	0.93	*9MV*0401410A**	ENH4X36*17**	0.96	1.03	0.93	*8MX*0451408**					
EHD4X36A**	0.97	1.02	0.95	*9MV*0601714A**	ENH4X36*17**	0.96	1.03	0.95	*9MA*0601714A**					
EHD4X36A**	0.98	1.01	0.95	*9MV*0801716A**	ENH4X36*17**	0.96	1.03	0.96	*9MA*0801714A**					
EHD4X36A**	0.98	1.02	0.97	*9MV*1202422A**	ENH4X36*17**	0.96	1.01	0.96	*9MA*1202422A**					
EHD4X36A**	0.98	1.11	0.92	*9MX*0401410A**	ENH4X36*17**	0.94	1.07	0.91	*9MV*0401410A**					
EHD4X36A**	1.00	1.08	0.97	*9MX*0601714A**	ENH4X36*17**	0.95	1.02	0.93	*9MV*0601714A**					
EHD4X36A**	0.98	0.99	0.94	MV08B15**B*	ENH4X36*17**	0.95	1.00	0.94	*9MV*0801716A**					
EHD4X36A**	0.98	0.99	0.93	MV12F19**B*	ENH4X36*17**	0.96	1.01	0.95	*9MV*1202422A**					
EHD4X36A**	1.00	1.05	0.92	OLV098A12A	ENH4X36*17**	0.95	1.11	0.9	*9MX*0401410A**					
EHD4X36A**	0.98	1.03	0.93	OMV098J12A	ENH4X36*17**	0.98	1.08	0.95	*9MX*0601714A**					
EHD4X36A**	1.01	1.04	0.99	OMV112K14A	ENH4X36*17**	0.96	1.00	0.92	MV08B15**B*					
EHD4X36A**	0.97	1.13	0.94		ENH4X36*17**	0.98	1.05	0.91	OLV098A12A					
EN(A,D)4X24*14**	0.97	1.04	0.97	*8MV*0701412**	ENH4X36*17**	0.96	1.03	0.91	OMV098J12A					
EN(A,D)4X24*14**	0.94	1.02	0.92	*8MX*0451408**	ENH4X36*17**	0.98	1.04	0.97	OMV112K14A					
EN(A,D)4X24*14**	0.94	1.10	0.9	*9MX*0401410A**	ENH4X36*17**	0.95	1.13	0.92						

COOLING Multiplying Factors for other Indoor Combinations (continued)33

COOLING INDOOR MODEL	HIGH SPEED CAPACITY	POWER	LOW SPEED CAPACITY	POWER	FURNACE MODEL	COOLING INDOOR MODEL	HIGH SPEED CAPACITY	POWER	LOW SPEED CAPACITY	POWER	FURNACE MODEL
EN(A,D)4X24*14**	0.94	1.12	0.92	1.16		FCM4X24***	0.98	1.01	0.98	1.03	
EN(A,D)4X24*17**	0.97	1.04	0.97	1.06	*8MV*0701412**	FCM4X36****	0.98	1.00	0.98	1.00	
EN(A,D)4X24*17**	0.97	1.02	0.97	1.04	*8MV*0901716**	FVM4X24****	0.96	1.00	0.93	0.95	
EN(A,D)4X24*17**	0.94	1.02	0.92	0.98	*8MX*0451408**	FVM4X36****	0.96	1.00	0.93	0.94	
EN(A,D)4X24*17**	0.95	1.04	0.95	1.08			*9MA*0601714A**				
(C,H,T)CA9 36											
*FCM4X60***	1.00	1.00	1.00	1.00		EHD4X48A**	0.97	0.99	0.97	1.00	MV20L24**B*
EA*4X36*14A*	0.94	1.05	0.95	1.04	*8MV*0701412**	EHD4X48A**	0.98	1.08	1.00	1.10	OLV112A16A
EA*4X36*14A*	0.92	1.06	0.92	1.02	*8MX*0451408**	EHD4X48A**	0.99	1.03	1.01	1.05	OLV154F20A
EA*4X36*14A*	0.92	1.08	0.95	1.21		EHD4X48A**	0.96	1.02	0.97	1.02	OMV112K14A
EA*4X36*17A*	0.94	1.03	0.95	1.03	*8MV*0701412**	EHD4X48A**	0.97	1.08	0.97	1.21	
EA*4X36*17A*	0.94	1.01	0.95	1.01	*8MV*0901716**	EN(A,D)4X36*21**	0.94	1.01	0.95	1.02	*8MV*0901716**
EA*4X36*17A*	0.92	1.06	0.97	1.21	*8MX*0451408**	EN(A,D)4X36*21**	0.94	1.01	0.95	1.02	*8MV*1102120**
EA*4X36*17A*	0.94	1.08	0.96	1.09	*8MX*0701716**	EN(A,D)4X36*21**	0.92	1.02	0.95	1.09	*8MX*0701716**
EA*4X36*17A*	0.93	1.07	0.95	1.07	*9MA*0601714A**	EN(A,D)4X36*21**	0.95	1.02	0.96	1.07	*8MX*0902116**
EA*4X36*17A*	0.94	1.05	0.95	1.05	*9MA*0801714A**	EN(A,D)4X36*21**	0.95	1.02	0.98	1.09	*8MX*1102120**
EA*4X36*17A*	0.92	1.01	0.93	1.05	*9MV*0601714A**	EN(A,D)4X36*21**	0.93	1.07	0.94	1.07	*9MA*0601714A**
EA*4X36*17A*	0.92	1.00	0.94	1.04	*9MV*0801716A**	EN(A,D)4X36*21**	0.94	1.05	0.95	1.06	*9MA*0602120A**
EA*4X36*17A*	0.93	1.03	0.92	1.01	*9MX*0601714A**	EN(A,D)4X36*21**	0.94	1.05	0.95	1.06	*9MA*0801714A**
EA*4X36*17A*	0.93	1.03	0.96	1.1	*9MX*0801716A**	EN(A,D)4X36*21**	0.94	1.01	0.95	1.04	*9MA*0802120A**
EA*4X36*17A*	0.94	0.99	0.95	1.01	MV08B15**B*	EN(A,D)4X36*21**	0.94	1.01	0.95	1.03	*9MA*1002122A**
EA*4X36*17A*	0.93	1.00	0.94	1.02	OMV112K14A	EN(A,D)4X36*21**	0.91	1.01	0.93	1.06	*9MV*0601714A**
EA*4X36*17A*	0.94	1.09	0.95	1.21		EN(A,D)4X36*21**	0.92	0.99	0.93	1.04	*9MV*0801716A**
EA*4X36*21A*	0.94	1.00	0.95	1.01	*8MV*0901716**	EN(A,D)4X36*21**	0.91	0.98	0.93	1.02	*9MV*0802120A**

COOLING Multiplying Factors for other Indoor Combinations (continued)33

COOLING INDOOR MODEL	HIGH SPEED CAPACITY	POWER	LOW SPEED CAPACITY	FURNACE MODEL	COOLING INDOOR MODEL	HIGH SPEED CAPACITY	POWER	LOW SPEED CAPACITY	FURNACE MODEL	COOLING INDOOR MODEL	HIGH SPEED CAPACITY	POWER	LOW SPEED CAPACITY	FURNACE MODEL
EA*4X36*21A*	0.94	1.00	0.95	*8MV*1102120**	EN(A,D)4X36*21**	0.91	0.98	0.93	*9MV*1002120A**	EN(A,D)4X36*21**	0.91	0.98	0.93	*9MV*1002120A**
EA*4X36*21A*	0.95	1.09	0.96	*8MX*0701716**	EN(A,D)4X36*21**	0.92	1.04	0.91	*9MX*0601714A**	EN(A,D)4X36*21**	0.92	1.04	0.91	*9MX*0601714A**
EA*4X36*21A*	0.95	1.02	0.97	*8MX*0902116**	EN(A,D)4X36*21**	0.92	1.02	0.96	*9MX*0801716A**	EN(A,D)4X36*21**	0.92	1.02	0.96	*9MX*0801716A**
EA*4X36*21A*	0.95	1.01	0.99	*8MX*1102120**	EN(A,D)4X36*21**	0.94	0.99	0.95	MV12F19**B*	EN(A,D)4X36*21**	0.94	0.99	0.95	MV12F19**B*
EA*4X36*21A*	0.94	1.05	0.95	*9MA*0601714A**	EN(A,D)4X36*21**	0.93	1.04	0.95	OLV112A16A	EN(A,D)4X36*21**	0.93	1.04	0.95	OLV112A16A
EA*4X36*21A*	0.94	1.03	0.95	*9MA*0602120A**	EN(A,D)4X36*21**	0.92	1.02	0.94	OMV112K14A	EN(A,D)4X36*21**	0.92	1.02	0.94	OMV112K14A
EA*4X36*21A*	0.94	1.03	0.95	*9MA*0801714A**	EN(A,D)4X36*21**	0.94	1.09	0.94		EN(A,D)4X36*21**	0.94	1.09	0.94	
EA*4X36*21A*	0.94	1.01	0.95	*9MA*0802120A**	EN(A,D)4X37*17**	0.97	1.03	0.98	*8MV*0701412**	EN(A,D)4X37*17**	0.97	1.03	0.98	*8MV*0701412**
EA*4X36*21A*	0.94	1.00	0.95	*9MA*1002122A**	EN(A,D)4X37*17**	0.98	1.01	0.98	*8MV*0901716**	EN(A,D)4X37*17**	0.98	1.01	0.98	*8MV*0901716**
EA*4X36*21A*	0.92	1.02	0.94	*9MV*0601714A**	EN(A,D)4X37*17**	0.96	1.06	0.95	*8MX*0451408**	EN(A,D)4X37*17**	0.96	1.06	0.95	*8MX*0451408**
EA*4X36*21A*	0.92	1.00	0.95	*9MV*0801716A**	EN(A,D)4X37*17**	0.97	1.04	0.99	*8MX*0701716**	EN(A,D)4X37*17**	0.97	1.04	0.99	*8MX*0701716**
EA*4X36*21A*	0.92	0.98	0.95	*9MV*0802120A**	EN(A,D)4X37*17**	0.97	1.07	0.98	*9MA*0601714A**	EN(A,D)4X37*17**	0.97	1.07	0.98	*9MA*0601714A**
EA*4X36*21A*	0.91	0.97	0.94	*9MV*1002120A**	EN(A,D)4X37*17**	0.97	1.05	0.98	*9MA*0801714A**	EN(A,D)4X37*17**	0.97	1.05	0.98	*9MA*0801714A**
EA*4X36*21A*	0.93	1.03	0.92	*9MX*0601714A**	EN(A,D)4X37*17**	0.95	1.01	0.97	*9MV*0601714A**	EN(A,D)4X37*17**	0.95	1.01	0.97	*9MV*0601714A**
EA*4X36*21A*	0.93	1.00	0.97	*9MX*0801716A**	EN(A,D)4X37*17**	0.96	1.01	0.97	*9MV*0801716A**	EN(A,D)4X37*17**	0.96	1.01	0.97	*9MV*0801716A**
EA*4X36*21A*	0.94	0.97	0.95	MV12F19**B*	EN(A,D)4X37*17**	0.96	1.04	0.95	*9MX*0601714A**	EN(A,D)4X37*17**	0.96	1.04	0.95	*9MX*0601714A**
EA*4X36*21A*	0.94	1.01	0.95	OLV112A16A	EN(A,D)4X37*17**	0.96	1.02	1.00	*9MX*0801716A**	EN(A,D)4X37*17**	0.96	1.02	1.00	*9MX*0801716A**
EA*4X36*21A*	0.93	1.00	0.94	OMV112K14A	EN(A,D)4X37*17**	0.97	0.99	0.98	MV08B15**B*	EN(A,D)4X37*17**	0.97	0.99	0.98	MV08B15**B*
EA*4X36*21A*	0.94	1.09	0.95		EN(A,D)4X37*17**	0.96	1.02	0.97	OMV112K14A	EN(A,D)4X37*17**	0.96	1.02	0.97	OMV112K14A
EA*4X42*21A*	0.95	1.01	0.96	*8MV*0901716**	EN(A,D)4X37*17**	0.97	1.09	0.98		EN(A,D)4X37*17**	0.97	1.09	0.98	
EA*4X42*21A*	0.95	1.01	0.96	*8MV*1102120**	EN(A,D)4X43*24**	0.98	1.01	0.99	*8MV*1102120**	EN(A,D)4X43*24**	0.98	1.01	0.99	*8MV*1102120**
EA*4X42*21A*	0.95	1.09	0.97	*8MX*0701716**	EN(A,D)4X43*24**	0.98	0.98	0.99	*8MV*1352422**	EN(A,D)4X43*24**	0.98	0.98	0.99	*8MV*1352422**
EA*4X42*21A*	0.96	1.03	0.97	*8MX*0902116**	EN(A,D)4X43*24**	0.99	1.03	1.01	*8MX*0902116**	EN(A,D)4X43*24**	0.99	1.03	1.01	*8MX*0902116**
EA*4X42*21A*	0.96	1.02	0.99	*8MX*1102120**	EN(A,D)4X43*24**	0.99	1.02	1.03	*8MX*1102120**	EN(A,D)4X43*24**	0.99	1.02	1.03	*8MX*1102120**

COOLING Multiplying Factors for other Indoor Combinations (continued)33

COOLING INDOOR MODEL	HIGH SPEED CAPACITY	POWER	LOW SPEED CAPACITY	POWER	FURNACE MODEL	COOLING INDOOR MODEL	HIGH SPEED CAPACITY	POWER	LOW SPEED CAPACITY	POWER	FURNACE MODEL	COOLING INDOOR MODEL	HIGH SPEED CAPACITY	POWER	LOW SPEED CAPACITY	POWER	FURNACE MODEL
EA*4X42*21A*	0.94	1.05	0.95	1.06	*9MA*0601714A**	EN(A,D)4X43*24**	0.98	1.04	0.98	1.03	*9MA*0602120A**	EN(A,D)4X43*24**	0.98	1.01	0.98	1.03	*9MA*0602120A**
EA*4X42*21A*	0.95	1.02	0.95	1.04	*9MA*0602120A**	EN(A,D)4X43*24**	0.98	1.01	0.98	1.01	*9MA*0802120A**	EN(A,D)4X43*24**	0.98	1.01	0.98	1.01	*9MA*0802120A**
EA*4X42*21A*	0.95	1.04	0.95	1.04	*9MA*0801714A**	EN(A,D)4X43*24**	0.98	1.01	0.98	1.01	*9MA*1002122A**	EN(A,D)4X43*24**	0.98	1.01	0.98	1.00	*9MA*1002122A**
EA*4X42*21A*	0.95	1.00	0.95	1.02	*9MA*0802120A**	EN(A,D)4X43*24**	0.98	1.00	0.98	1.00	*9MA*1202422A**	EN(A,D)4X43*24**	0.98	1.00	0.98	1.01	*9MA*1202422A**
EA*4X42*21A*	0.95	1.01	0.95	1.01	*9MA*1002122A**	EN(A,D)4X43*24**	0.97	0.99	1.00	0.99	*9MV*1202422A**	EN(A,D)4X43*24**	0.97	0.99	1.00	1.03	*9MV*1202422A**
EA*4X42*21A*	0.93	1.00	0.95	1.05	*9MV*0601714A**	EN(A,D)4X43*24**	0.97	0.97	0.98	0.99	MV16J22**B*	EN(A,D)4X43*24**	0.97	0.97	0.98	0.99	MV16J22**B*
EA*4X42*21A*	0.93	1.00	0.95	1.04	*9MV*0801716A**	EN(A,D)4X43*24**	0.97	0.97	0.98	0.97	MV20L24**B*	EN(A,D)4X43*24**	0.97	0.97	0.98	0.99	MV20L24**B*
EA*4X42*21A*	0.94	1.03	0.93	1.01	*9MX*0601714A**	EN(A,D)4X43*24**	0.97	1.03	0.99	1.03	OLV112A16A	EN(A,D)4X43*24**	0.97	1.03	0.99	1.04	OLV112A16A
EA*4X42*21A*	0.94	1.01	0.97	1.10	*9MX*0801716A**	EN(A,D)4X43*24**	0.99	1.02	1.01	1.02	OLV154F20A	EN(A,D)4X43*24**	0.99	1.02	1.01	1.04	OLV154F20A
EA*4X42*21A*	0.95	0.98	0.95	0.99	MV12F19**B*	EN(A,D)4X43*24**	0.97	1.09	0.98	1.09		EN(A,D)4X43*24**	0.97	1.09	0.98	1.21	
EA*4X42*21A*	0.94	1.01	0.96	1.05	OLV112A16A	EN(A,D)4X48*24**	0.97	1.00	0.97	1.00	*8MV*1102120**	EN(A,D)4X48*24**	0.97	1.00	0.97	1.00	*8MV*1102120**
EA*4X42*21A*	0.95	1.05	0.97	1.07	OMV112K14A	EN(A,D)4X48*24**	0.97	0.99	0.97	0.99	*8MV*1352422**	EN(A,D)4X48*24**	0.97	0.99	0.97	0.99	*8MV*1352422**
EA*4X42*21A*	0.94	1.10	0.95	1.21		EN(A,D)4X48*24**	0.98	1.04	0.99	1.06	*8MX*0902116**	EN(A,D)4X48*24**	0.98	1.04	0.99	1.06	*8MX*0902116**
EA*4X42*24A*	0.95	1.01	0.96	1.01	*8MV*1102120**	EN(A,D)4X48*24**	0.98	1.01	1.01	1.08	*8MX*1102120**	EN(A,D)4X48*24**	0.98	1.01	1.01	1.08	*8MX*1102120**
EA*4X42*24A*	0.95	0.99	0.96	1.00	*8MV*1352422**	EN(A,D)4X48*24**	0.96	1.04	0.97	1.04	*9MA*0602120A**	EN(A,D)4X48*24**	0.96	1.04	0.97	1.04	*9MA*0602120A**
EA*4X42*24A*	0.96	1.03	0.97	1.05	*8MX*0902116**	EN(A,D)4X48*24**	0.97	1.03	0.97	1.03	*9MA*0802120A**	EN(A,D)4X48*24**	0.97	1.03	0.97	1.02	*9MA*0802120A**
EA*4X42*24A*	0.96	1.02	0.99	1.08	*8MX*1102120**	EN(A,D)4X48*24**	0.97	1.00	0.97	1.00	*9MA*1002122A**	EN(A,D)4X48*24**	0.97	1.00	0.97	1.02	*9MA*1002122A**
EA*4X42*24A*	0.95	1.02	0.95	1.04	*9MA*0602120A**	EN(A,D)4X48*24**	0.97	1.00	0.97	1.00	*9MA*1202422A**	EN(A,D)4X48*24**	0.97	1.00	0.97	1.02	*9MA*1202422A**
EA*4X42*24A*	0.95	1.00	0.95	1.02	*9MA*0802120A**	EN(A,D)4X48*24**	0.94	0.98	0.97	0.98	*9MV*0802120A**	EN(A,D)4X48*24**	0.94	0.98	0.97	1.02	*9MV*0802120A**
EA*4X42*24A*	0.95	1.01	0.95	1.01	*9MA*1002122A**	EN(A,D)4X48*24**	0.94	0.98	0.97	0.98	*9MV*1002120A**	EN(A,D)4X48*24**	0.94	0.98	0.97	1.02	*9MV*1002120A**
EA*4X42*24A*	0.95	1.01	0.95	1.02	*9MA*1202422A**	EN(A,D)4X48*24**	0.95	0.99	0.99	1.03	*9MV*1202422A**	EN(A,D)4X48*24**	0.95	0.99	0.99	1.03	*9MV*1202422A**
EA*4X42*24A*	0.92	0.98	0.95	1.02	*9MV*0802120A**	EN(A,D)4X48*24**	0.96	0.98	0.96	0.98	MV16J22**B*	EN(A,D)4X48*24**	0.96	0.98	0.97	0.99	MV16J22**B*
EA*4X42*24A*	0.92	0.98	0.95	1.02	*9MV*1002120A**	EN(A,D)4X48*24**	0.96	0.98	0.96	0.98	MV20L24**B*	EN(A,D)4X48*24**	0.96	0.98	0.97	1.00	MV20L24**B*
EA*4X42*24A*	0.94	0.99	0.97	1.03	*9MV*1202422A**	EN(A,D)4X48*24**	0.97	1.07	0.99	1.08	OLV112A16A	EN(A,D)4X48*24**	0.97	1.07	0.99	1.08	OLV112A16A

COOLING Multiplying Factors for other Indoor Combinations (continued)33

COOLING INDOOR MODEL	HIGH SPEED CAPACITY	POWER	LOW SPEED CAPACITY	POWER	FURNACE MODEL	COOLING INDOOR MODEL	HIGH SPEED CAPACITY	POWER	LOW SPEED CAPACITY	POWER	FURNACE MODEL	COOLING INDOOR MODEL	HIGH SPEED CAPACITY	POWER	LOW SPEED CAPACITY	POWER	FURNACE MODEL
EA*4X42*24A*	0.95	0.97	0.95	0.99	MV16J22**B*	EN(A,D)4X48*24**	0.98	1.01	1.00	1.04	OLV154F20A	EN(A,D)4X48*24**	0.98	1.01	1.00	1.04	OLV154F20A
EA*4X42*24A*	0.95	0.97	0.95	1.00	MV20L24**B*	EN(A,D)4X48*24**	0.95	1.09	0.95	1.18		EN(A,D)4X48*24**	0.95	1.09	0.95	1.18	
EA*4X42*24A*	0.94	1.01	0.96	1.04	OLV112A16A	EN(A,D,W)4X36*17**	0.94	1.03	0.95	1.04	*8MV*0701412**	EN(A,D,W)4X36*17**	0.94	1.03	0.95	1.04	*8MV*0701412**
EA*4X42*24A*	0.96	1.02	0.98	1.04	OLV154F20A	EN(A,D,W)4X36*17**	0.94	1.01	0.95	1.02	*8MV*0901716**	EN(A,D,W)4X36*17**	0.94	1.01	0.95	1.02	*8MV*0901716**
EA*4X42*24A*	0.94	1.10	0.95	1.21		EN(A,D,W)4X36*17**	0.92	1.06	0.92	1.02	*8MX*0451408**	EN(A,D,W)4X36*17**	0.92	1.06	0.92	1.02	*8MX*0451408**
EA*4X48*17A*	0.97	1.04	0.97	1.03	*8MV*0701412**	EN(A,D,W)4X36*17**	0.92	1.02	0.95	1.09	*8MX*0701716**	EN(A,D,W)4X36*17**	0.92	1.02	0.95	1.09	*8MX*0701716**
EA*4X48*17A*	0.97	1.01	0.97	1.00	*8MV*0901716**	EN(A,D,W)4X36*17**	0.93	1.07	0.94	1.07	*9MA*0601714A**	EN(A,D,W)4X36*17**	0.93	1.07	0.94	1.07	*9MA*0601714A**
EA*4X48*17A*	0.96	1.05	0.95	1.02	*8MX*0451408**	EN(A,D,W)4X36*17**	0.94	1.05	0.95	1.06	*9MA*0801714A**	EN(A,D,W)4X36*17**	0.94	1.05	0.95	1.06	*9MA*0801714A**
EA*4X48*17A*	0.97	1.09	0.99	1.08	*8MX*0701716**	EN(A,D,W)4X36*17**	0.91	1.01	0.93	1.06	*9MV*0601714A**	EN(A,D,W)4X36*17**	0.91	1.01	0.93	1.06	*9MV*0601714A**
EA*4X48*17A*	0.96	1.06	0.97	1.06	*9MA*0601714A**	EN(A,D,W)4X36*17**	0.92	0.99	0.93	1.04	*9MV*0801716A**	EN(A,D,W)4X36*17**	0.92	0.99	0.93	1.04	*9MV*0801716A**
EA*4X48*17A*	0.97	1.04	0.97	1.04	*9MA*0801714A**	EN(A,D,W)4X36*17**	0.92	1.04	0.91	1.01	*9MX*0601714A**	EN(A,D,W)4X36*17**	0.92	1.04	0.91	1.01	*9MX*0601714A**
EA*4X48*17A*	0.95	1.02	0.97	1.06	*9MV*0601714A**	EN(A,D,W)4X36*17**	0.92	1.02	0.96	1.1	*9MX*0801716A**	EN(A,D,W)4X36*17**	0.92	1.02	0.96	1.1	*9MX*0801716A**
EA*4X48*17A*	0.95	1.01	0.97	1.04	*9MV*0801716A**	EN(A,D,W)4X36*17**	0.94	0.99	0.95	1.01	MV08B15**B*	EN(A,D,W)4X36*17**	0.94	0.99	0.95	1.01	MV08B15**B*
EA*4X48*17A*	0.96	1.03	0.94	1.01	*9MX*0601714A**	EN(A,D,W)4X36*17**	0.92	1.02	0.94	1.03	OMV112K14A	EN(A,D,W)4X36*17**	0.92	1.02	0.94	1.03	OMV112K14A
EA*4X48*17A*	0.96	1.03	0.99	1.10	*9MX*0801716A**	EN(A,D,W)4X36*17**	0.94	1.09	0.94	1.21		EN(A,D,W)4X36*17**	0.94	1.09	0.94	1.21	
EA*4X48*17A*	0.96	1.00	0.97	1.00	MV08B15**B*	EN(A,D,W)4X42*21**	0.95	1.01	0.96	1.02	*8MV*0901716**	EN(A,D,W)4X42*21**	0.95	1.01	0.96	1.02	*8MV*0901716**
EA*4X48*17A*	0.96	1.01	0.97	1.02	OMV112K14A	EN(A,D,W)4X42*21**	0.95	1.01	0.96	1.02	*8MV*1102120**	EN(A,D,W)4X42*21**	0.95	1.01	0.96	1.02	*8MV*1102120**
EA*4X48*17A*	0.97	1.08	0.97	1.21		EN(A,D,W)4X42*21**	0.94	1.03	0.96	1.09	*8MX*0701716**	EN(A,D,W)4X42*21**	0.94	1.03	0.96	1.09	*8MX*0701716**
EA*4X48*21A*	0.96	1.02	0.97	1.00	*8MV*0901716**	EN(A,D,W)4X42*21**	0.96	1.03	0.97	1.06	*8MX*0902116**	EN(A,D,W)4X42*21**	0.96	1.03	0.97	1.06	*8MX*0902116**
EA*4X48*21A*	0.97	1.00	0.97	1.00	*8MV*1102120**	EN(A,D,W)4X42*21**	0.96	1.01	0.99	1.09	*8MX*1102120**	EN(A,D,W)4X42*21**	0.96	1.01	0.99	1.09	*8MX*1102120**
EA*4X48*21A*	0.97	1.08	0.98	1.08	*8MX*0701716**	EN(A,D,W)4X42*21**	0.94	1.05	0.95	1.07	*9MA*0601714A**	EN(A,D,W)4X42*21**	0.94	1.05	0.95	1.07	*9MA*0601714A**
EA*4X48*21A*	0.97	1.03	0.99	1.06	*8MX*0902116**	EN(A,D,W)4X42*21**	0.95	1.04	0.95	1.05	*9MA*0602120A**	EN(A,D,W)4X42*21**	0.95	1.04	0.95	1.05	*9MA*0602120A**
EA*4X48*21A*	0.97	1.03	1.01	1.08	*8MX*1102120**	EN(A,D,W)4X42*21**	0.95	1.04	0.95	1.05	*9MA*0801714A**	EN(A,D,W)4X42*21**	0.95	1.04	0.95	1.05	*9MA*0801714A**
EA*4X48*21A*	0.96	1.05	0.97	1.06	*9MA*0601714A**	EN(A,D,W)4X42*21**	0.95	1.02	0.95	1.03	*9MA*0802120A**	EN(A,D,W)4X42*21**	0.95	1.02	0.95	1.03	*9MA*0802120A**

COOLING Multiplying Factors for other Indoor Combinations (continued)33

COOLING INDOOR MODEL	HIGH SPEED CAPACITY	POWER	LOW SPEED CAPACITY	FURNACE MODEL	COOLING INDOOR MODEL	HIGH SPEED CAPACITY	POWER	LOW SPEED CAPACITY	FURNACE MODEL	COOLING INDOOR MODEL	HIGH SPEED CAPACITY	POWER	LOW SPEED CAPACITY	FURNACE MODEL
EA*4X48*21A*	0.96	1.04	0.97	*9MA*0602120A**	EN(A,D,W)4X42*21**	0.95	1.01	0.96	*9MA*1002122A**	EN(A,D,W)4X42*21**	0.95	1.03	0.96	*9MA*1002122A**
EA*4X48*21A*	0.96	1.03	0.97	*9MA*0801714A**	EN(A,D,W)4X42*21**	0.92	1.00	0.94	*9MV*0601714A**	EN(A,D,W)4X42*21**	0.92	1.05	0.94	*9MV*0601714A**
EA*4X48*21A*	0.96	1.02	0.97	*9MA*0802120A**	EN(A,D,W)4X42*21**	0.93	1.00	0.95	*9MV*0801716A**	EN(A,D,W)4X42*21**	0.93	1.04	0.95	*9MV*0801716A**
EA*4X48*21A*	0.96	1.02	0.97	*9MA*1002122A**	EN(A,D,W)4X42*21**	0.92	0.98	0.95	*9MV*0802120A**	EN(A,D,W)4X42*21**	0.92	1.02	0.95	*9MV*0802120A**
EA*4X48*21A*	0.94	1.01	0.96	*9MV*0601714A**	EN(A,D,W)4X42*21**	0.92	0.98	0.94	*9MV*1002120A**	EN(A,D,W)4X42*21**	0.92	1.02	0.94	*9MV*1002120A**
EA*4X48*21A*	0.95	1.00	0.96	*9MV*0801716A**	EN(A,D,W)4X42*21**	0.94	1.03	0.92	*9MX*0601714A**	EN(A,D,W)4X42*21**	0.94	1.01	0.92	*9MX*0601714A**
EA*4X48*21A*	0.94	0.99	0.96	*9MV*0802120A**	EN(A,D,W)4X42*21**	0.94	1.01	0.97	*9MX*0801716A**	EN(A,D,W)4X42*21**	0.94	1.10	0.97	*9MX*0801716A**
EA*4X48*21A*	0.94	0.99	0.96	*9MV*1002120A**	EN(A,D,W)4X42*21**	0.95	0.98	0.95	MV12F19**B*	EN(A,D,W)4X42*21**	0.95	0.99	0.95	MV12F19**B*
EA*4X48*21A*	0.95	1.02	0.94	*9MX*0601714A**	EN(A,D,W)4X42*21**	0.94	1.01	0.96	OLV112A16A	EN(A,D,W)4X42*21**	0.94	1.06	0.96	OLV112A16A
EA*4X48*21A*	0.95	1.02	0.99	*9MX*0801716A**	EN(A,D,W)4X42*21**	0.94	1.01	0.95	OMV112K14A	EN(A,D,W)4X42*21**	0.94	1.02	0.95	OMV112K14A
EA*4X48*21A*	0.96	0.98	0.97	MV12F19**B*	EN(A,D,W)4X42*21**	0.95	1.09	0.95		EN(A,D,W)4X42*21**	0.95	1.21	0.95	
EA*4X48*21A*	0.96	1.03	0.97	OLV112A16A	EN(A,D,W)4X48*21**	0.97	1.00	0.97	*8MV*0901716**	EN(A,D,W)4X48*21**	0.97	1.00	0.97	*8MV*0901716**
EA*4X48*21A*	0.95	1.01	0.96	OMV112K14A	EN(A,D,W)4X48*21**	0.97	1.00	0.97	*8MV*1102120**	EN(A,D,W)4X48*21**	0.97	1.00	0.97	*8MV*1102120**
EA*4X48*21A*	0.94	1.08	0.95		EN(A,D,W)4X48*21**	0.96	1.03	0.98	*8MX*0701716**	EN(A,D,W)4X48*21**	0.96	1.08	0.98	*8MX*0701716**
EA*4X48*24A*	0.97	1.00	0.97	*8MV*1102120**	EN(A,D,W)4X48*21**	0.98	1.04	0.99	*8MX*0902116**	EN(A,D,W)4X48*21**	0.98	1.06	0.99	*8MX*0902116**
EA*4X48*24A*	0.97	0.99	0.97	*8MV*135242**	EN(A,D,W)4X48*21**	0.98	1.01	1.01	*8MX*1102120**	EN(A,D,W)4X48*21**	0.98	1.08	1.01	*8MX*1102120**
EA*4X48*24A*	0.97	1.03	0.99	*8MX*0902116**	EN(A,D,W)4X48*21**	0.96	1.05	0.97	*9MA*0601714A**	EN(A,D,W)4X48*21**	0.96	1.05	0.97	*9MA*0601714A**
EA*4X48*24A*	0.98	1.01	1.01	*8MX*1102120**	EN(A,D,W)4X48*21**	0.96	1.04	0.97	*9MA*0602120A**	EN(A,D,W)4X48*21**	0.96	1.04	0.97	*9MA*0602120A**
EA*4X48*24A*	0.96	1.04	0.97	*9MA*0602120A**	EN(A,D,W)4X48*21**	0.96	1.04	0.97	*9MA*0801714A**	EN(A,D,W)4X48*21**	0.96	1.04	0.97	*9MA*0801714A**
EA*4X48*24A*	0.96	1.02	0.97	*9MA*0802120A**	EN(A,D,W)4X48*21**	0.97	1.03	0.97	*9MA*0802120A**	EN(A,D,W)4X48*21**	0.97	1.02	0.97	*9MA*0802120A**
EA*4X48*24A*	0.97	1.00	0.97	*9MA*1002122A**	EN(A,D,W)4X48*21**	0.97	1.00	0.97	*9MA*1002122A**	EN(A,D,W)4X48*21**	0.97	1.02	0.97	*9MA*1002122A**
EA*4X48*24A*	0.96	1.02	0.97	*9MA*1202422A**	EN(A,D,W)4X48*21**	0.95	1.02	0.96	*9MV*0601714A**	EN(A,D,W)4X48*21**	0.95	1.05	0.96	*9MV*0601714A**
EA*4X48*24A*	0.94	0.97	0.96	*9MV*0802120A**	EN(A,D,W)4X48*21**	0.95	1.01	0.96	*9MV*0801716A**	EN(A,D,W)4X48*21**	0.95	1.04	0.96	*9MV*0801716A**
EA*4X48*24A*	0.94	0.97	0.96	*9MV*1002120A**	EN(A,D,W)4X48*21**	0.94	0.97	0.96	*9MV*1002120A**	EN(A,D,W)4X48*21**	0.94	0.98	0.96	*9MV*1002120A**

COOLING Multiplying Factors for other Indoor Combinations (continued)33

COOLING INDOOR MODEL	HIGH SPEED CAPACITY	POWER	LOW SPEED CAPACITY	FURNACE MODEL	COOLING INDOOR MODEL	HIGH SPEED CAPACITY	POWER	LOW SPEED CAPACITY	FURNACE MODEL	COOLING INDOOR MODEL	HIGH SPEED CAPACITY	POWER	LOW SPEED CAPACITY	FURNACE MODEL
EA*4X48*24A*	0.95	0.99	0.98	*9MV*1202422A**	EN(A,D,W)4X48*21**	0.94	0.98	0.97	*9MV*1002120A**					
EA*4X48*24A*	0.96	0.98	0.97	MV16J22**B*	EN(A,D,W)4X48*21**	0.96	1.03	0.94	*9MX*0601714A**					
EA*4X48*24A*	0.96	0.98	0.97	MV20L24**B*	EN(A,D,W)4X48*21**	0.96	1.03	0.99	*9MX*0801716A**					
EA*4X48*24A*	0.97	1.07	0.99	OLV112A16A	EN(A,D,W)4X48*21**	0.96	0.98	0.97	MV12F19**B*					
EA*4X48*24A*	0.98	1.04	0.99	OLV154F20A	EN(A,D,W)4X48*21**	0.96	1.01	0.97	OLV112A16A					
EA*4X48*24A*	0.96	1.10	0.97		EN(A,D,W)4X48*21**	0.97	1.05	0.99	OMV112K14A					
ED*4X36B**	0.94	1.01	0.95	MV08B15**B*	EN(A,D,W)4X48*21**	0.95	1.09	0.95						
ED*4X36F**	0.94	1.01	0.95	*8MV*0901716**	END4X42*17**	0.96	1.03	0.97	*8MV*0701412**					
ED*4X36F**	0.94	1.01	0.95	*8MV*1102120**	END4X42*17**	0.96	1.01	0.97	*8MV*0901716**					
ED*4X36F**	0.94	1.08	0.96	*8MX*0701716**	END4X42*17**	0.95	1.06	0.94	*8MX*0451408**					
ED*4X36F**	0.95	1.02	0.96	*8MX*0902116**	END4X42*17**	0.95	1.02	0.97	*8MX*0701716**					
ED*4X36F**	0.95	1.02	0.98	*8MX*1102120**	END4X42*17**	0.95	1.07	0.96	*9MA*0601714A**					
ED*4X36F**	0.93	1.07	0.95	*9MA*0601714A**	END4X42*17**	0.95	1.05	0.96	*9MA*0801714A**					
ED*4X36F**	0.94	1.05	0.95	*9MA*0801714A**	END4X42*17**	0.94	1.01	0.95	*9MV*0601714A**					
ED*4X36F**	0.92	1.01	0.93	*9MV*0601714A**	END4X42*17**	0.94	1.01	0.95	*9MV*0801716A**					
ED*4X36F**	0.92	1.00	0.94	*9MV*0801716A**	END4X42*17**	0.95	1.02	0.93	*9MX*0601714A**					
ED*4X36F**	0.93	1.03	0.92	*9MX*0601714A**	END4X42*17**	0.95	1.02	0.98	*9MX*0801716A**					
ED*4X36F**	0.93	1.03	0.96	*9MX*0801716A**	END4X42*17**	0.95	0.99	0.96	MV08B15**B*					
ED*4X36F**	0.94	0.99	0.95	MV08B15**B*	END4X42*17**	0.95	1.02	0.96	OMV112K14A					
ED*4X36F**	0.94	0.97	0.95	MV12F19**B*	END4X42*17**	0.94	1.08	0.95						
ED*4X36F**	0.94	1.03	0.95	OLV112A16A	ENH4X36*17**	0.94	1.03	0.95	*8MV*0701412**					
ED*4X36F**	0.93	1.00	0.94	OMV112K14A	ENH4X36*17**	0.94	1.01	0.95	*8MV*0901716**					
ED*4X36F**	0.94	1.09	0.95		ENH4X36*17**	0.94	1.01	0.95	*8MV*1102120**					
ED*4X36J**	0.94	0.97	0.95	MV12F19**B*	ENH4X36*17**	0.94	1.01	0.95	*8MV*1352422**					

COOLING Multiplying Factors for other Indoor Combinations (continued)33

COOLING INDOOR MODEL	HIGH SPEED CAPACITY	POWER	LOW SPEED CAPACITY	FURNACE MODEL	COOLING INDOOR MODEL	HIGH SPEED CAPACITY	POWER	LOW SPEED CAPACITY	FURNACE MODEL	COOLING INDOOR MODEL	HIGH SPEED CAPACITY	POWER	LOW SPEED CAPACITY	FURNACE MODEL
ED*4X36J**	0.94	0.98	0.95	MV16J22**B*	ENH4X36*17**	0.92	1.06	0.92	*8MX*0451408**					
ED*4X42F**	0.94	1.00	0.95	MV08B15**B*	ENH4X36*17**	0.92	1.02	0.95	*8MX*0701716**					
ED*4X42F**	0.95	0.98	0.95	MV12F19**B*	ENH4X36*17**	0.94	1.01	0.95	*8MX*0902116**					
ED*4X42J**	0.95	0.98	0.95	MV12F19**B*	ENH4X36*17**	0.94	1.01	0.97	*8MX*1102120**					
ED*4X42J**	0.95	0.98	0.95	MV16J22**B*	ENH4X36*17**	0.93	1.07	0.94	*9MA*0601714A**					
ED*4X42L**	0.95	0.97	0.95	MV16J22**B*	ENH4X36*17**	0.94	1.05	0.95	*9MA*0801714A**					
ED*4X42L**	0.95	0.97	0.95	MV20L24**B*	ENH4X36*17**	0.94	1.01	0.95	*9MA*1202422A**					
ED*4X48F**	0.96	1.00	0.97	MV08B15**B*	ENH4X36*17**	0.91	1.01	0.93	*9MV*0601714A**					
ED*4X48F**	0.97	0.99	0.97	MV12F19**B*	ENH4X36*17**	0.92	0.99	0.93	*9MV*0801716A**					
ED*4X48J**	0.97	1.00	0.97	*8MV*1102120**	ENH4X36*17**	0.92	0.99	0.95	*9MV*1202422A**					
ED*4X48J**	0.97	1.00	0.97	*8MV*1352422**	ENH4X36*17**	0.92	1.04	0.91	*9MX*0601714A**					
ED*4X48J**	0.97	1.03	0.99	*8MX*0902116**	ENH4X36*17**	0.92	1.02	0.96	*9MX*0801716A**					
ED*4X48J**	0.97	1.03	1.01	*8MX*1102120**	ENH4X36*17**	0.94	0.99	0.95	MV08B15**B*					
ED*4X48J**	0.96	1.02	0.97	*9MA*1202422A**	ENH4X36*17**	0.93	1.04	0.95	OLV112A16A					
ED*4X48J**	0.96	0.98	0.97	MV12F19**B*	ENH4X36*17**	0.95	1.02	0.97	OLV154F20A					
ED*4X48J**	0.96	0.98	0.97	MV16J22**B*	ENH4X36*17**	0.92	1.02	0.94	OMV112K14A					
ED*4X48J**	0.96	1.03	0.97	OLV112A16A	ENH4X36*17**	0.94	1.09	0.94						
ED*4X48J**	0.94	1.08	0.95		ENH4X42*21**	0.95	1.02	0.95	*8MV*0701412**					
ED*4X48L**	0.96	0.98	0.97	MV16J22**B*	ENH4X42*21**	0.95	1.01	0.96	*8MV*0901716**					
ED*4X48L**	0.96	0.98	0.97	MV20L24**B*	ENH4X42*21**	0.95	1.01	0.96	*8MV*1102120**					
EHD4X36A**	0.96	1.04	0.97	*8MV*0701412**	ENH4X42*21**	0.95	1.01	0.96	*8MV*1352422**					
EHD4X36A**	0.96	1.02	0.97	*8MV*0901716**	ENH4X42*21**	0.94	1.05	0.93	*8MX*0451408**					
EHD4X36A**	0.96	1.02	0.97	*8MV*1102120**	ENH4X42*21**	0.94	1.03	0.96	*8MX*0701716**					
EHD4X36A**	0.97	1.00	0.97	*8MV*1352422**	ENH4X42*21**	0.96	1.03	0.97	*8MX*0902116**					

COOLING Multiplying Factors for other Indoor Combinations (continued)33

COOLING INDOOR MODEL	HIGH SPEED CAPACITY	POWER	LOW SPEED CAPACITY	POWER	FURNACE MODEL	COOLING INDOOR MODEL	HIGH SPEED CAPACITY	POWER	LOW SPEED CAPACITY	POWER	FURNACE MODEL	COOLING INDOOR MODEL	HIGH SPEED CAPACITY	POWER	LOW SPEED CAPACITY	POWER	FURNACE MODEL
EHD4X36A**	0.95	1.07	0.94	1.02	*8MX*0451408**	ENH4X42*21**	0.96	1.01	0.99	1.09	*8MX*1102120**	ENH4X42*21**	0.96	1.01	0.99	1.09	*8MX*1102120**
EHD4X36A**	0.95	1.02	0.97	1.09	*8MX*0701716**	ENH4X42*21**	0.94	1.05	0.95	1.07	*9MA*0601714A**	ENH4X42*21**	0.94	1.05	0.95	1.07	*9MA*0601714A**
EHD4X36A**	0.97	1.03	0.98	1.06	*8MX*0902116**	ENH4X42*21**	0.95	1.04	0.95	1.05	*9MA*0602120A**	ENH4X42*21**	0.95	1.04	0.95	1.05	*9MA*0602120A**
EHD4X36A**	0.97	1.03	1.01	1.08	*8MX*1102120**	ENH4X42*21**	0.95	1.04	0.95	1.05	*9MA*0801714A**	ENH4X42*21**	0.95	1.04	0.95	1.05	*9MA*0801714A**
EHD4X36A**	0.96	1.07	0.97	1.07	*9MA*0601714A**	ENH4X42*21**	0.95	1.02	0.95	1.03	*9MA*0802120A**	ENH4X42*21**	0.95	1.02	0.95	1.03	*9MA*0802120A**
EHD4X36A**	0.96	1.03	0.97	1.05	*9MA*0602120A**	ENH4X42*21**	0.95	1.01	0.96	1.03	*9MA*1002122A**	ENH4X42*21**	0.95	1.01	0.96	1.03	*9MA*1002122A**
EHD4X36A**	0.96	1.03	0.97	1.05	*9MA*0801714A**	ENH4X42*21**	0.95	1.02	0.95	1.03	*9MA*1202422A**	ENH4X42*21**	0.95	1.02	0.95	1.03	*9MA*1202422A**
EHD4X36A**	0.96	1.02	0.97	1.03	*9MA*0802120A**	ENH4X42*21**	0.92	1.00	0.94	1.05	*9MV*0601714A**	ENH4X42*21**	0.92	1.00	0.94	1.05	*9MV*0601714A**
EHD4X36A**	0.96	1.02	0.97	1.02	*9MA*1002122A**	ENH4X42*21**	0.93	1.00	0.95	1.04	*9MV*0801716A**	ENH4X42*21**	0.93	1.00	0.95	1.04	*9MV*0801716A**
EHD4X36A**	0.96	1.02	0.97	1.03	*9MA*1202422A**	ENH4X42*21**	0.92	0.98	0.95	1.02	*9MV*0802120A**	ENH4X42*21**	0.92	0.98	0.95	1.02	*9MV*0802120A**
EHD4X36A**	0.94	1.01	0.95	1.05	*9MV*0601714A**	ENH4X42*21**	0.92	0.98	0.94	1.02	*9MV*1002120A**	ENH4X42*21**	0.92	0.98	0.94	1.02	*9MV*1002120A**
EHD4X36A**	0.95	1.00	0.96	1.04	*9MV*0801716A**	ENH4X42*21**	0.93	0.99	0.96	1.03	*9MV*1202422A**	ENH4X42*21**	0.93	0.99	0.96	1.03	*9MV*1202422A**
EHD4X36A**	0.94	0.99	0.95	1.02	*9MV*0802120A**	ENH4X42*21**	0.94	1.03	0.92	1.01	*9MX*0601714A**	ENH4X42*21**	0.94	1.03	0.92	1.01	*9MX*0601714A**
EHD4X36A**	0.93	0.99	0.95	1.02	*9MV*1002120A**	ENH4X42*21**	0.94	1.01	0.97	1.10	*9MX*0801716A**	ENH4X42*21**	0.94	1.01	0.97	1.10	*9MX*0801716A**
EHD4X36A**	0.94	1.00	0.97	1.03	*9MV*1202422A**	ENH4X42*21**	0.95	0.98	0.95	0.99	MV12F19**B*	ENH4X42*21**	0.95	0.98	0.95	0.99	MV12F19**B*
EHD4X36A**	0.95	1.02	0.93	1.01	*9MX*0601714A**	ENH4X42*21**	0.94	1.01	0.96	1.06	OLV112A16A	ENH4X42*21**	0.94	1.01	0.96	1.06	OLV112A16A
EHD4X36A**	0.95	1.02	0.98	1.10	*9MX*0801716A**	ENH4X42*21**	0.96	1.04	0.99	1.06	OLV154F20A	ENH4X42*21**	0.96	1.04	0.99	1.06	OLV154F20A
EHD4X36A**	0.96	0.99	0.97	1.01	MV08B15**B*	ENH4X42*21**	0.94	1.01	0.95	1.02	OMV112K14A	ENH4X42*21**	0.94	1.01	0.95	1.02	OMV112K14A
EHD4X36A**	0.96	0.98	0.97	0.99	MV12F19**B*	ENH4X42*21**	0.95	1.09	0.95	1.21		ENH4X42*21**	0.95	1.09	0.95	1.21	
EHD4X36A**	0.96	0.98	0.97	1.00	MV16J22**B*	ENH4X43*21**	0.98	1.04	0.98	1.02	*8MV*0701412**	ENH4X43*21**	0.98	1.04	0.98	1.02	*8MV*0701412**
EHD4X36A**	0.96	0.98	0.97	1.01	MV20L24**B*	ENH4X43*21**	0.98	1.00	0.99	1.01	*8MV*0901716**	ENH4X43*21**	0.98	1.00	0.99	1.01	*8MV*0901716**
EHD4X36A**	0.96	1.03	0.97	1.06	OLV112A16A	ENH4X43*21**	0.98	1.00	0.99	1.01	*8MV*1102120**	ENH4X43*21**	0.98	1.00	0.99	1.01	*8MV*1102120**
EHD4X36A**	0.98	1.04	0.99	1.06	OLV154F20A	ENH4X43*21**	0.98	1.01	0.99	1.00	*8MV*1352422**	ENH4X43*21**	0.98	1.01	0.99	1.00	*8MV*1352422**
EHD4X36A**	0.97	1.07	0.99	1.08	OMV112K14A	ENH4X43*21**	0.97	1.04	0.96	1.02	*8MX*0451408**	ENH4X43*21**	0.97	1.04	0.96	1.02	*8MX*0451408**

COOLING Multiplying Factors for other Indoor Combinations (continued)33

COOLING INDOOR MODEL	HIGH SPEED CAPACITY	POWER	LOW SPEED CAPACITY	FURNACE MODEL	COOLING INDOOR MODEL	HIGH SPEED CAPACITY	POWER	LOW SPEED CAPACITY	FURNACE MODEL	COOLING INDOOR MODEL	HIGH SPEED CAPACITY	POWER	LOW SPEED CAPACITY	FURNACE MODEL
EHD4X36A**	0.94	1.08	0.95			0.97	1.03	0.99		ENH4X43*21**	0.97	1.03	0.99	*8MX*0701716**
EHD4X42A**	0.97	1.04	0.97	*8MV*0701412**		0.99	1.03	1.00		ENH4X43*21**	0.99	1.03	1.00	*8MX*0902116**
EHD4X42A**	0.97	1.01	0.97	*8MV*0901716**		0.99	1.02	1.03		ENH4X43*21**	0.99	1.02	1.03	*8MX*1102120**
EHD4X42A**	0.97	1.01	0.97	*8MV*1102120**		0.97	1.01	1.06		ENH4X43*21**	0.97	1.05	0.98	*9MA*0601714A**
EHD4X42A**	0.97	0.99	0.97	*8MV*1352422**		0.97	1.00	1.03		ENH4X43*21**	0.97	1.03	1.04	*9MA*0602120A**
EHD4X42A**	0.96	1.05	0.95	*8MX*0451408**		0.96	1.02	1.05		ENH4X43*21**	0.97	1.05	0.98	*9MA*0801714A**
EHD4X42A**	0.96	1.03	0.98	*8MX*0701716**		0.96	1.08	1.02		ENH4X43*21**	0.98	1.01	0.98	*9MA*0802120A**
EHD4X42A**	0.98	1.04	0.99	*8MX*0902116**		0.98	1.05	1.01		ENH4X43*21**	0.98	1.00	0.98	*9MA*1002122A**
EHD4X42A**	0.98	1.01	1.01	*8MX*1102120**		0.98	1.08	1.02		ENH4X43*21**	0.98	1.01	0.98	*9MA*1202422A**
EHD4X42A**	0.96	1.06	0.97	*9MA*0601714A**		0.96	1.07	1.05		ENH4X43*21**	0.96	1.01	0.97	*9MV*0601714A**
EHD4X42A**	0.97	1.04	0.97	*9MA*0602120A**		0.97	1.05	1.04		ENH4X43*21**	0.96	1.02	0.98	*9MV*0801716A**
EHD4X42A**	0.96	1.04	0.97	*9MA*0801714A**		0.96	1.05	1.05		ENH4X43*21**	0.95	0.99	0.98	*9MV*0802120A**
EHD4X42A**	0.97	1.03	0.97	*9MA*0802120A**		0.97	1.03	1.03		ENH4X43*21**	0.95	0.99	0.97	*9MV*1002120A**
EHD4X42A**	0.97	1.01	0.97	*9MA*1002122A**		0.97	1.02	1.02		ENH4X43*21**	0.96	0.98	0.99	*9MV*1202422A**
EHD4X42A**	0.97	1.03	0.97	*9MA*1202422A**		0.97	1.03	1.03		ENH4X43*21**	0.97	1.04	0.95	*9MX*0601714A**
EHD4X42A**	0.95	1.02	0.96	*9MV*0601714A**		0.95	1.05	1.05		ENH4X43*21**	0.97	1.03	1.00	*9MX*0801716A**
EHD4X42A**	0.95	1.01	0.97	*9MV*0801716A**		0.95	1.04	1.01		ENH4X43*21**	0.97	0.97	0.98	MV12F19**B*
EHD4X42A**	0.94	0.98	0.96	*9MV*0802120A**		0.94	1.02	0.98		ENH4X43*21**	0.97	1.03	0.99	OLV112A16A
EHD4X42A**	0.94	0.97	0.96	*9MV*1002120A**		0.94	1.02	0.96		ENH4X43*21**	0.99	1.03	1.01	OLV154F20A
EHD4X42A**	0.95	0.99	0.98	*9MV*1202422A**		0.95	1.03	0.99		ENH4X43*21**	0.98	1.06	1.00	OMV112K14A
EHD4X42A**	0.96	1.03	0.94	*9MX*0601714A**		0.96	1.01	1.03		ENH4X43*21**	0.97	1.09	0.98	
EHD4X42A**	0.96	1.03	0.99	*9MX*0801716A**		0.96	1.09	1.02		ENH4X43*21**	0.96	1.02	0.97	*8MV*0701412**
EHD4X42A**	0.96	1.00	0.97	MV08B15**B*		0.96	1.00	1.00		ENH4X48*21**	0.97	1.00	0.97	*8MV*0901716**
EHD4X42A**	0.96	0.98	0.97	MV12F19**B*		0.96	0.99	0.98		ENH4X48*21**	0.97	1.00	0.97	*8MV*1102120**

COOLING Multiplying Factors for other Indoor Combinations (continued)33

COOLING INDOOR MODEL	HIGH SPEED CAPACITY	POWER	LOW SPEED CAPACITY	POWER	FURNACE MODEL	COOLING INDOOR MODEL	HIGH SPEED CAPACITY	POWER	LOW SPEED CAPACITY	POWER	FURNACE MODEL	COOLING INDOOR MODEL	HIGH SPEED CAPACITY	POWER	LOW SPEED CAPACITY	POWER	FURNACE MODEL
EHD4X42A**	0.96	0.98	0.97	1.00	MV16J22**B*	ENH4X48*21**	0.97	0.99	0.97	0.99	*8MV*1352422**	ENH4X48*21**	0.96	1.01	0.95	1.02	*8MX*0451408**
EHD4X42A**	0.96	0.98	0.97	1.01	MV20L24**B*	ENH4X48*21**	0.96	1.05	0.95	1.02	*8MX*0451408**	ENH4X48*21**	0.96	1.03	0.98	1.08	*8MX*0701716**
EHD4X42A**	0.96	1.04	0.97	1.05	OLV112A16A	ENH4X48*21**	0.96	1.03	0.98	1.04	*8MX*0902116**	ENH4X48*21**	0.96	1.05	0.97	1.05	*9MA*0601714A**
EHD4X42A**	0.98	1.04	1.00	1.05	OLV154F20A	ENH4X48*21**	0.98	1.04	0.99	1.06	*8MX*0902116**	ENH4X48*21**	0.98	1.04	0.99	1.06	*8MX*0902116**
EHD4X42A**	0.96	1.01	0.97	1.02	OMV112K14A	ENH4X48*21**	0.98	1.01	1.01	1.08	*8MX*1102120**	ENH4X48*21**	0.98	1.01	1.01	1.08	*8MX*1102120**
EHD4X42A**	0.97	1.11	0.97	1.21		ENH4X48*21**	0.96	1.05	0.97	1.05	*9MA*0601714A**	ENH4X48*21**	0.96	1.05	0.97	1.05	*9MA*0601714A**
EHD4X48A**	0.97	1.03	0.98	1.03	*8MV*0701412**	ENH4X48*21**	0.96	1.04	0.97	1.04	*9MA*0602120A**	ENH4X48*21**	0.96	1.04	0.97	1.04	*9MA*0602120A**
EHD4X48A**	0.97	1.01	0.98	1.01	*8MV*0901716**	ENH4X48*21**	0.96	1.04	0.97	1.04	*9MA*0601714A**	ENH4X48*21**	0.96	1.04	0.97	1.04	*9MA*0601714A**
EHD4X48A**	0.97	1.01	0.98	1.01	*8MV*1102120**	ENH4X48*21**	0.97	1.03	0.97	1.03	*9MA*0802120A**	ENH4X48*21**	0.97	1.03	0.97	1.03	*9MA*0802120A**
EHD4X48A**	0.98	1.00	0.98	1.00	*8MV*1352422**	ENH4X48*21**	0.98	1.00	0.98	1.02	*9MA*1002120A**	ENH4X48*21**	0.98	1.00	0.97	1.02	*9MA*1002120A**
EHD4X48A**	0.96	1.06	0.95	1.02	*8MX*0451408**	ENH4X48*21**	0.96	1.06	0.95	1.02	*9MA*1202422A**	ENH4X48*21**	0.96	1.00	0.97	1.02	*9MA*1202422A**
EHD4X48A**	0.96	1.04	0.99	1.08	*8MX*0701716**	ENH4X48*21**	0.96	1.04	0.99	1.08	*9MV*0601714A**	ENH4X48*21**	0.96	1.02	0.96	1.05	*9MV*0601714A**
EHD4X48A**	0.98	1.04	0.99	1.06	*8MX*0902116**	ENH4X48*21**	0.98	1.04	0.99	1.06	*9MV*0801716A**	ENH4X48*21**	0.98	1.01	0.97	1.04	*9MV*0801716A**
EHD4X48A**	0.98	1.02	1.01	1.08	*8MX*1102120**	ENH4X48*21**	0.98	1.02	1.01	1.08	*9MV*0802120A**	ENH4X48*21**	0.98	0.98	0.97	1.02	*9MV*0802120A**
EHD4X48A**	0.96	1.06	0.97	1.06	*9MA*0601714A**	ENH4X48*21**	0.96	1.06	0.97	1.06	*9MV*1002120A**	ENH4X48*21**	0.96	0.98	0.97	1.02	*9MV*1002120A**
EHD4X48A**	0.97	1.04	0.97	1.04	*9MA*0602120A**	ENH4X48*21**	0.97	1.04	0.97	1.04	*9MV*1202422A**	ENH4X48*21**	0.97	0.99	0.99	1.03	*9MV*1202422A**
EHD4X48A**	0.97	1.04	0.97	1.04	*9MA*0801714A**	ENH4X48*21**	0.97	1.04	0.97	1.04	*9MX*0601714A**	ENH4X48*21**	0.97	1.03	0.94	1.01	*9MX*0601714A**
EHD4X48A**	0.97	1.03	0.98	1.03	*9MA*0802120A**	ENH4X48*21**	0.97	1.03	0.98	1.03	*9MX*0801716A**	ENH4X48*21**	0.97	1.03	0.99	1.09	*9MX*0801716A**
EHD4X48A**	0.97	1.01	0.98	1.02	*9MA*1002122A**	ENH4X48*21**	0.97	1.01	0.98	1.02	MV12F19**B*	ENH4X48*21**	0.97	0.98	0.97	0.99	MV12F19**B*
EHD4X48A**	0.97	1.03	0.98	1.03	*9MA*1202422A**	ENH4X48*21**	0.97	1.03	0.98	1.03	OLV112A16A	ENH4X48*21**	0.97	1.07	0.99	1.08	OLV112A16A
EHD4X48A**	0.95	1.02	0.97	1.05	*9MV*0601714A**	ENH4X48*21**	0.95	1.02	0.97	1.05	OLV154F20A	ENH4X48*21**	0.95	1.01	1.00	1.04	OLV154F20A
EHD4X48A**	0.96	1.01	0.97	1.04	*9MV*0801716A**	ENH4X48*21**	0.96	1.01	0.97	1.04	OMV112K14A	ENH4X48*21**	0.96	1.01	0.97	1.01	OMV112K14A
EHD4X48A**	0.95	0.98	0.97	1.02	*9MV*0802120A**	ENH4X48*21**	0.95	0.98	0.97	1.02		ENH4X48*21**	0.95	1.09	0.95	1.18	
EHD4X48A**	0.94	0.98	0.97	1.02	*9MV*1002120A**	FCM4X24****	0.94	0.98	0.97	1.02		FCM4X24****	0.94	1.01	0.95	1.03	

COOLING Multiplying Factors for other Indoor Combinations (continued)33

COOLING INDOOR MODEL	HIGH SPEED CAPACITY	POWER	LOW SPEED CAPACITY	POWER	FURNACE MODEL	COOLING INDOOR MODEL	HIGH SPEED CAPACITY	POWER	LOW SPEED CAPACITY	POWER	FURNACE MODEL
EHD4X48A**	0.95	0.99	0.99	1.03	*9MV**1202422A**	FCM4X36***	0.95	1.00	0.95	1.00	
EHD4X48A**	0.96	1.04	0.95	1.01	*9MX*0601714A**	FCM4X48****	0.98	0.98	0.97	0.99	
EHD4X48A**	0.96	1.02	0.99	1.10	*9MX*0801716A**	FVM4X24****	0.93	1.00	0.95	1.03	
EHD4X48A**	0.97	0.99	0.97	1.00	MV08B15**B*	FVM4X36****	0.94	0.99	0.95	1.00	
EHD4X48A**	0.97	0.99	0.97	0.99	MV12F19**B*	FVM4X48****	0.97	0.97	0.97	0.99	
EHD4X48A**	0.97	0.99	0.97	0.99	MV16J22**B*	FVM4X60****	0.98	0.98	0.98	0.98	
(C,H,T)CA9 48											
*FCM4X60****	1.00	1.00	1.00	1.00		EHD4X60A**	0.98	1.06	0.97	1.15	
EA*4X48*17A*	0.97	1.03	0.97	1.02	*8MV*0901716**	EN(A,D)4X48*24**	0.97	1.01	0.96	1.00	*8MV*1102120**
EA*4X48*17A*	0.96	1.11	0.99	1.17	*8MX*0701716**	EN(A,D)4X48*24**	0.97	1.01	0.97	1.00	*8MV*1352422**
EA*4X48*17A*	0.96	1.04	0.97	1.08	*9MV*0801716A**	EN(A,D)4X48*24**	0.97	1.03	0.97	1.02	*8MX*0902116**
EA*4X48*17A*	0.97	1.09	0.96	1.06	*9MX*0801716A**	EN(A,D)4X48*24**	0.97	1.01	0.99	1.03	*8MX*1102120**
EA*4X48*17A*	0.97	1.07	0.96	1.15		EN(A,D)4X48*24**	0.97	1.03	0.99	1.06	*8MX*1352420**
EA*4X48*21A*	0.96	1.02	0.96	1.02	*8MV*0901716**	EN(A,D)4X48*24**	0.95	1.02	0.96	1.05	*9MA*0602120A**
EA*4X48*21A*	0.97	1.03	0.96	1.01	*8MV**1102120**	EN(A,D)4X48*24**	0.96	1.02	0.96	1.02	*9MA*0802120A**
EA*4X48*21A*	0.95	1.09	0.96	1.07	*8MX*0701716**	EN(A,D)4X48*24**	0.96	1.00	0.96	1.01	*9MA*1002122A**
EA*4X48*21A*	0.96	1.04	0.97	1.03	*8MX*0902116**	EN(A,D)4X48*24**	0.97	1.03	0.96	1.02	*9MA*1202422A**
EA*4X48*21A*	0.96	1.00	0.97	1.03	*8MX**1102120**	EN(A,D)4X48*24**	0.96	1.00	0.97	1.04	*9MV*0802120A**
EA*4X48*21A*	0.95	1.05	0.96	1.06	*9MA*0602120A**	EN(A,D)4X48*24**	0.95	0.98	0.97	1.04	*9MV*1002120A**
EA*4X48*21A*	0.96	1.04	0.96	1.03	*9MA*0802120A**	EN(A,D)4X48*24**	0.96	1.00	0.97	1.03	*9MV*1202422A**
EA*4X48*21A*	0.96	1.02	0.96	1.02	*9MA*1002122A**	EN(A,D)4X48*24**	0.97	1.05	0.99	1.08	*9MX*0802120A**
EA*4X48*21A*	0.95	1.05	0.96	1.08	*9MV*0801716A**	EN(A,D)4X48*24**	0.97	1.03	0.99	1.06	*9MX*1002120A**
EA*4X48*21A*	0.95	1.01	0.97	1.05	*9MV*0802120A**	EN(A,D)4X48*24**	0.97	1.05	1.00	1.10	*9MX*1202422A**
EA*4X48*21A*	0.95	1.01	0.96	1.04	*9MV**1002120A**	EN(A,D)4X48*24**	0.98	1.00	0.99	1.00	MV16J22**B*

COOLING Multiplying Factors for other Indoor Combinations (continued)33

COOLING INDOOR MODEL	HIGH SPEED CAPACITY	POWER	LOW SPEED CAPACITY	FURNACE MODEL	COOLING INDOOR MODEL	HIGH SPEED CAPACITY	POWER	LOW SPEED CAPACITY	FURNACE MODEL	COOLING INDOOR MODEL	HIGH SPEED CAPACITY	POWER	LOW SPEED CAPACITY	FURNACE MODEL
EA*4X48*21A*	0.96	1.08	0.96	*9MX*0801716A**	EN(A,D)4X48*24**	0.98	1.00	0.99	MV20L24**B*	EN(A,D)4X48*24**	0.98	1.00	0.99	MV20L24**B*
EA*4X48*21A*	0.96	1.04	0.99	*9MX*0802120A**	EN(A,D)4X48*24**	0.96	1.08	0.97	OLV112A16A	EN(A,D)4X48*24**	0.96	1.08	0.97	OLV112A16A
EA*4X48*21A*	0.96	1.04	0.99	*9MX*1002120A**	EN(A,D)4X48*24**	0.97	1.03	0.99	OLV154F20A	EN(A,D)4X48*24**	0.97	1.03	0.99	OLV154F20A
EA*4X48*21A*	0.96	1.08	0.97	OLV112A16A	EN(A,D)4X48*24**	0.96	1.08	0.96		EN(A,D)4X48*24**	0.96	1.08	0.96	
EA*4X48*21A*	0.96	1.08	0.96		EN(A,D)4X61*24**	1.00	1.02	0.99	*8MV*1102120**	EN(A,D)4X61*24**	1.00	1.02	0.99	*8MV*1102120**
EA*4X48*24A*	0.97	1.01	0.96	*8MV*1102120**	EN(A,D)4X61*24**	1.00	1.00	0.99	*8MV*1352422**	EN(A,D)4X61*24**	1.00	1.00	0.99	*8MV*1352422**
EA*4X48*24A*	0.97	1.01	0.96	*8MV*1352422**	EN(A,D)4X61*24**	1.00	1.04	1.00	*8MX*0902116**	EN(A,D)4X61*24**	1.00	1.04	1.00	*8MX*0902116**
EA*4X48*24A*	0.97	1.05	0.97	*8MX*0902116**	EN(A,D)4X61*24**	1.00	1.02	1.01	*8MX*1102120**	EN(A,D)4X61*24**	1.00	1.02	1.01	*8MX*1102120**
EA*4X48*24A*	0.97	1.01	0.97	*8MX*1102120**	EN(A,D)4X61*24**	1.00	1.02	1.03	*8MX*1352420**	EN(A,D)4X61*24**	1.00	1.02	1.03	*8MX*1352420**
EA*4X48*24A*	0.97	1.03	0.99	*8MX*1352420**	EN(A,D)4X61*24**	0.98	1.04	0.99	*9MA*0602120A**	EN(A,D)4X61*24**	0.98	1.04	0.99	*9MA*0602120A**
EA*4X48*24A*	0.95	1.02	0.96	*9MA*0602120A**	EN(A,D)4X61*24**	0.99	1.01	0.99	*9MA*0802120A**	EN(A,D)4X61*24**	0.99	1.01	0.99	*9MA*0802120A**
EA*4X48*24A*	0.96	1.02	0.96	*9MA*0802120A**	EN(A,D)4X61*24**	0.99	1.01	0.99	*9MA*1002122A**	EN(A,D)4X61*24**	0.99	1.01	0.99	*9MA*1002122A**
EA*4X48*24A*	0.96	1.00	0.96	*9MA*1002122A**	EN(A,D)4X61*24**	1.00	1.02	0.99	*9MA*1202422A**	EN(A,D)4X61*24**	1.00	1.02	0.99	*9MA*1202422A**
EA*4X48*24A*	0.97	1.03	0.96	*9MA*1202422A**	EN(A,D)4X61*24**	0.99	1.01	1.00	*9MV*0802120A**	EN(A,D)4X61*24**	0.99	1.01	1.00	*9MV*0802120A**
EA*4X48*24A*	0.95	1.01	0.97	*9MV*0802120A**	EN(A,D)4X61*24**	0.99	1.01	1.00	*9MV*1002120A**	EN(A,D)4X61*24**	0.99	1.01	1.00	*9MV*1002120A**
EA*4X48*24A*	0.95	1.01	0.97	*9MV*1002120A**	EN(A,D)4X61*24**	0.99	1.01	1.00	*9MV*1202422A**	EN(A,D)4X61*24**	0.99	1.01	1.00	*9MV*1202422A**
EA*4X48*24A*	0.96	1.00	0.97	*9MV*1202422A**	EN(A,D)4X61*24**	1.00	1.04	1.03	*9MX*0802120A**	EN(A,D)4X61*24**	1.00	1.04	1.03	*9MX*0802120A**
EA*4X48*24A*	0.97	1.05	0.99	*9MX*0802120A**	EN(A,D)4X61*24**	1.00	1.04	1.01	*9MX*1002120A**	EN(A,D)4X61*24**	1.00	1.04	1.01	*9MX*1002120A**
EA*4X48*24A*	0.96	1.02	0.99	*9MX*1002120A**	EN(A,D)4X61*24**	1.01	1.05	1.03	*9MX*1202422A**	EN(A,D)4X61*24**	1.01	1.05	1.03	*9MX*1202422A**
EA*4X48*24A*	0.97	1.05	0.99	*9MX*1202422A**	EN(A,D)4X61*24**	1.01	1.00	1.00	MV16J22**B*	EN(A,D)4X61*24**	1.01	1.00	1.00	MV16J22**B*
EA*4X48*24A*	0.97	0.99	0.97	MV16J22**B*	EN(A,D)4X61*24**	1.01	1.00	1.01	MV20L24**B*	EN(A,D)4X61*24**	1.01	1.00	1.01	MV20L24**B*
EA*4X48*24A*	0.97	0.99	0.97	MV20L24**B*	EN(A,D)4X61*24**	0.99	1.07	1.00	OLV112A16A	EN(A,D)4X61*24**	0.99	1.07	1.00	OLV112A16A
EA*4X48*24A*	0.96	1.08	0.97	OLV112A16A	EN(A,D)4X61*24**	1.00	1.02	1.01	OLV154F20A	EN(A,D)4X61*24**	1.00	1.02	1.01	OLV154F20A
EA*4X48*24A*	0.97	1.03	0.99	OLV154F20A	EN(A,D)4X61*24**	0.99	1.07	0.99		EN(A,D)4X61*24**	0.99	1.07	0.99	

COOLING Multiplying Factors for other Indoor Combinations (continued)33

COOLING INDOOR MODEL	HIGH SPEED CAPACITY	POWER	LOW SPEED CAPACITY	FURNACE MODEL	COOLING INDOOR MODEL	HIGH SPEED CAPACITY	POWER	LOW SPEED CAPACITY	FURNACE MODEL	POWER	LOW SPEED CAPACITY	COOLING INDOOR MODEL	HIGH SPEED CAPACITY	POWER	LOW SPEED CAPACITY	FURNACE MODEL
EA*4X48*24A*	0.96	1.08	0.96		EN(A,D,W)4X48*21**	0.97	1.01	0.96	*8MV*0901716**	1.01	0.96	EN(A,D,W)4X48*21**	0.97	1.01	0.96	*8MV*0901716**
EA*4X60*21A*	0.99	1.03	0.97	*8MV*0901716**	EN(A,D,W)4X48*21**	0.97	1.01	0.96	*8MV*1102120**	1.00	0.96	EN(A,D,W)4X48*21**	0.97	1.01	0.96	*8MV*1102120**
EA*4X60*21A*	0.99	1.03	0.97	*8MV*1102120**	EN(A,D,W)4X48*21**	0.96	1.11	0.97	*8MX*0701716**	1.08	0.97	EN(A,D,W)4X48*21**	0.97	1.03	0.97	*8MX*0701716**
EA*4X60*21A*	0.98	1.10	0.97	*8MX*0701716**	EN(A,D,W)4X48*21**	0.97	1.03	0.97	*8MX*0902116**	1.02	0.97	EN(A,D,W)4X48*21**	0.97	1.03	0.97	*8MX*0902116**
EA*4X60*21A*	0.99	1.03	0.99	*8MX*0902116**	EN(A,D,W)4X48*21**	0.97	1.01	0.99	*8MX*1102120**	1.03	0.99	EN(A,D,W)4X48*21**	0.97	1.01	0.99	*8MX*1102120**
EA*4X60*21A*	0.99	1.03	0.99	*8MX*1102120**	EN(A,D,W)4X48*21**	0.95	1.02	0.96	*9MA*0602120A**	1.05	0.96	EN(A,D,W)4X48*21**	0.95	1.02	0.96	*9MA*0602120A**
EA*4X60*21A*	0.97	1.05	0.97	*9MA*0602120A**	EN(A,D,W)4X48*21**	0.96	1.02	0.96	*9MA*0802120A**	1.02	0.96	EN(A,D,W)4X48*21**	0.96	1.02	0.96	*9MA*0802120A**
EA*4X60*21A*	0.98	1.02	0.97	*9MA*0802120A**	EN(A,D,W)4X48*21**	0.96	1.00	0.96	*9MA*1002122A**	1.01	0.96	EN(A,D,W)4X48*21**	0.96	1.00	0.96	*9MA*1002122A**
EA*4X60*21A*	0.98	1.02	0.97	*9MA*1002122A**	EN(A,D,W)4X48*21**	0.95	1.02	0.97	*9MV*0801716A**	1.08	0.97	EN(A,D,W)4X48*21**	0.95	1.02	0.97	*9MV*0801716A**
EA*4X60*21A*	0.97	1.05	0.97	*9MV*0801716A**	EN(A,D,W)4X48*21**	0.96	1.00	0.97	*9MV*0802120A**	1.04	0.97	EN(A,D,W)4X48*21**	0.96	1.00	0.97	*9MV*0802120A**
EA*4X60*21A*	0.97	1.01	0.99	*9MV*0802120A**	EN(A,D,W)4X48*21**	0.95	0.98	0.97	*9MV*1002120A**	1.04	0.97	EN(A,D,W)4X48*21**	0.95	0.98	0.97	*9MV*1002120A**
EA*4X60*21A*	0.97	1.01	0.97	*9MV*1002120A**	EN(A,D,W)4X48*21**	0.96	1.08	0.96	*9MX*0801716A**	1.05	0.96	EN(A,D,W)4X48*21**	0.96	1.08	0.96	*9MX*0801716A**
EA*4X60*21A*	0.99	1.10	0.97	*9MX*0801716A**	EN(A,D,W)4X48*21**	0.97	1.06	0.97	*9MX*0802120A**	1.08	0.99	EN(A,D,W)4X48*21**	0.97	1.05	0.99	*9MX*0802120A**
EA*4X60*21A*	0.99	1.03	1.00	*9MX*0802120A**	EN(A,D,W)4X48*21**	0.97	1.03	1.00	*9MX*1002120A**	1.06	0.99	EN(A,D,W)4X48*21**	0.97	1.03	0.99	*9MX*1002120A**
EA*4X60*21A*	0.99	1.03	1.00	*9MX*1002120A**	EN(A,D,W)4X48*21**	0.96	1.07	1.00	OLV112A16A	1.08	0.97	EN(A,D,W)4X48*21**	0.96	1.08	0.97	OLV112A16A
EA*4X60*21A*	0.98	1.08	0.99	OLV112A16A	EN(A,D,W)4X48*21**	0.96	1.09	0.99		1.08	0.96	EN(A,D,W)4X48*21**	0.96	1.08	0.96	
EA*4X60*21A*	0.98	1.08	0.97		EN(A,D,W)4X60*24**	0.99	1.16	0.97		1.01	0.97	EN(A,D,W)4X60*24**	0.99	1.01	0.97	*8MV*1102120**
EA*4X60*24A*	0.99	1.03	0.97	*8MV*1102120**	EN(A,D,W)4X60*24**	0.99	1.01	0.97	*8MV*1352422**	0.99	0.97	EN(A,D,W)4X60*24**	0.99	1.01	0.97	*8MV*1352422**
EA*4X60*24A*	0.99	1.01	0.97	*8MV*1352422**	EN(A,D,W)4X60*24**	0.99	1.00	0.97	*8MX*0902116**	1.02	0.99	EN(A,D,W)4X60*24**	0.99	1.03	0.99	*8MX*0902116**
EA*4X60*24A*	0.99	1.03	0.99	*8MX*0902116**	EN(A,D,W)4X60*24**	0.99	1.03	0.99	*8MX*1102120**	1.03	0.99	EN(A,D,W)4X60*24**	0.99	1.01	1.00	*8MX*1102120**
EA*4X60*24A*	0.99	1.03	0.99	*8MX*1102120**	EN(A,D,W)4X60*24**	0.99	1.02	0.99	*8MX*1352420**	1.07	1.01	EN(A,D,W)4X60*24**	0.99	1.03	1.01	*8MX*1352420**
EA*4X60*24A*	0.99	1.03	1.00	*8MX*1352420**	EN(A,D,W)4X60*24**	0.97	1.06	1.00	*9MA*0602120A**	1.05	0.97	EN(A,D,W)4X60*24**	0.97	1.05	0.97	*9MA*0602120A**
EA*4X60*24A*	0.97	1.05	0.97	*9MA*0602120A**	EN(A,D,W)4X60*24**	0.98	1.05	0.97	*9MA*0802120A**	1.02	0.97	EN(A,D,W)4X60*24**	0.98	1.02	0.97	*9MA*0802120A**
EA*4X60*24A*	0.98	1.02	0.97	*9MA*0802120A**	EN(A,D,W)4X60*24**	0.98	1.03	0.97		1.01	0.97	EN(A,D,W)4X60*24**	0.98	1.02	0.97	*9MA*1002122A**

COOLING Multiplying Factors for other Indoor Combinations (continued)33

COOLING INDOOR MODEL	HIGH SPEED CAPACITY	POWER	LOW SPEED CAPACITY	POWER	FURNACE MODEL	COOLING INDOOR MODEL	HIGH SPEED CAPACITY	POWER	LOW SPEED CAPACITY	POWER	FURNACE MODEL	COOLING INDOOR MODEL	HIGH SPEED CAPACITY	POWER	LOW SPEED CAPACITY	POWER	FURNACE MODEL
EA*4X60*24A*	0.98	1.02	0.97	1.02	*9MA*1002122A**	EN(A,D,W)4X60*24**	0.98	1.02	0.97	1.02	*9MA*1202422A**	EN(A,D,W)4X60*24**	0.98	1.02	0.97	1.02	*9MA*1202422A**
EA*4X60*24A*	0.99	1.03	0.97	1.03	*9MA*1202422A**	EN(A,D,W)4X60*24**	0.97	1.01	0.99	1.04	*9MV*0802120A**	EN(A,D,W)4X60*24**	0.97	1.01	0.99	1.04	*9MV*0802120A**
EA*4X60*24A*	0.97	1.01	0.99	1.05	*9MV*0802120A**	EN(A,D,W)4X60*24**	0.97	1.01	0.99	1.04	*9MV*1002120A**	EN(A,D,W)4X60*24**	0.97	1.01	0.99	1.04	*9MV*1002120A**
EA*4X60*24A*	0.97	1.01	0.99	1.05	*9MV*1002120A**	EN(A,D,W)4X60*24**	0.97	1.01	0.99	1.05	*9MV*1202422A**	EN(A,D,W)4X60*24**	0.97	1.01	0.99	1.05	*9MV*1202422A**
EA*4X60*24A*	0.98	1.02	0.99	1.04	*9MV*1202422A**	EN(A,D,W)4X60*24**	0.98	1.03	0.99	1.04	*9MX*0802120A**	EN(A,D,W)4X60*24**	0.98	1.03	0.99	1.04	*9MX*0802120A**
EA*4X60*24A*	0.99	1.03	1.00	1.08	*9MX*0802120A**	EN(A,D,W)4X60*24**	0.99	1.03	1.00	1.08	*9MX*1002120A**	EN(A,D,W)4X60*24**	0.99	1.03	1.00	1.08	*9MX*1002120A**
EA*4X60*24A*	0.99	1.03	1.00	1.07	*9MX*1002120A**	EN(A,D,W)4X60*24**	0.99	1.03	1.00	1.07	*9MX*1202422A**	EN(A,D,W)4X60*24**	0.99	1.03	1.00	1.07	*9MX*1202422A**
EA*4X60*24A*	0.99	1.03	1.00	1.09	*9MX*1202422A**	EN(A,D,W)4X60*24**	0.99	1.03	1.00	1.09	MV16J22**B*	EN(A,D,W)4X60*24**	0.99	1.03	1.00	1.09	MV16J22**B*
EA*4X60*24A*	0.99	0.99	0.99	1.00	MV16J22**B*	EN(A,D,W)4X60*24**	0.99	0.99	0.99	1.00	MV20L24**B*	EN(A,D,W)4X60*24**	0.99	0.99	0.99	1.00	MV20L24**B*
EA*4X60*24A*	0.99	0.99	0.99	1.00	MV20L24**B*	EN(A,D,W)4X60*24**	0.99	0.99	0.99	1.00	OLV112A16A	EN(A,D,W)4X60*24**	0.99	0.99	0.99	1.00	OLV112A16A
EA*4X60*24A*	0.98	1.08	0.99	1.09	OLV112A16A	EN(A,D,W)4X60*24**	0.98	1.08	0.99	1.09	OLV154F20A	EN(A,D,W)4X60*24**	0.98	1.08	0.99	1.09	OLV154F20A
EA*4X60*24A*	0.99	1.03	1.00	1.04	OLV154F20A	EN(A,D,W)4X60*24**	0.99	1.03	1.00	1.04		EN(A,D,W)4X60*24**	0.99	1.03	1.00	1.04	
EA*4X60*24A*	0.98	1.08	0.97	1.16		ENH4X48*21**	0.98	1.08	0.97	1.16		ENH4X48*21**	0.98	1.08	0.97	1.16	
ED*4X48J**	0.97	1.03	0.96	1.01	*8MV*1102120**	ENH4X48*21**	0.97	1.01	0.96	1.01	*8MV*0901716**	ENH4X48*21**	0.97	1.01	0.96	1.01	*8MV*0901716**
ED*4X48J**	0.97	1.01	0.96	1.00	*8MV*1352422**	ENH4X48*21**	0.97	1.01	0.96	1.00	*8MV*1102120**	ENH4X48*21**	0.97	1.01	0.96	1.00	*8MV*1102120**
ED*4X48J**	0.96	1.04	0.97	1.03	*8MX*0902116**	ENH4X48*21**	0.96	1.11	0.97	1.03	*8MX*0701716**	ENH4X48*21**	0.96	1.11	0.97	1.03	*8MX*0701716**
ED*4X48J**	0.96	1.00	0.97	1.03	*8MX*1102120**	ENH4X48*21**	0.96	1.03	0.97	1.03	*8MX*0902116**	ENH4X48*21**	0.96	1.03	0.97	1.03	*8MX*0902116**
ED*4X48J**	0.96	1.02	0.99	1.07	*8MX*1352420**	ENH4X48*21**	0.96	1.01	0.99	1.07	*8MX*1102120**	ENH4X48*21**	0.96	1.01	0.99	1.07	*8MX*1102120**
ED*4X48J**	0.96	1.02	0.96	1.03	*9MA*1202422A**	ENH4X48*21**	0.96	1.03	0.96	1.03	*9MA*1352420**	ENH4X48*21**	0.96	1.03	0.96	1.03	*9MA*1352420**
ED*4X48J**	0.97	1.05	0.99	1.09	*9MX*1202422A**	ENH4X48*21**	0.97	1.02	0.99	1.09	*9MA*0602120A**	ENH4X48*21**	0.97	1.02	0.99	1.09	*9MA*0602120A**
ED*4X48J**	0.97	1.01	0.97	1.00	MV16J22**B*	ENH4X48*21**	0.97	1.01	0.97	1.00	*9MA*0802120A**	ENH4X48*21**	0.97	1.01	0.96	1.02	*9MA*0802120A**
ED*4X48J**	0.96	1.08	0.97	1.10	OLV112A16A	ENH4X48*21**	0.96	1.08	0.97	1.10	*9MA*1002122A**	ENH4X48*21**	0.96	1.08	0.96	1.01	*9MA*1002122A**
ED*4X48J**	0.96	1.08	0.96	1.16		ENH4X48*21**	0.96	1.08	0.96	1.16	*9MA*1202422A**	ENH4X48*21**	0.96	1.08	0.96	1.02	*9MA*1202422A**
ED*4X48L**	0.97	0.99	0.97	1.00	MV16J22**B*	ENH4X48*21**	0.97	0.99	0.97	1.00		ENH4X48*21**	0.97	0.99	0.97	1.00	

COOLING Multiplying Factors for other Indoor Combinations (continued)33

COOLING INDOOR MODEL	HIGH SPEED CAPACITY	POWER	LOW SPEED CAPACITY	POWER	FURNACE MODEL	COOLING INDOOR MODEL	HIGH SPEED CAPACITY	POWER	LOW SPEED CAPACITY	POWER	FURNACE MODEL	COOLING INDOOR MODEL	HIGH SPEED CAPACITY	POWER	LOW SPEED CAPACITY	POWER	FURNACE MODEL
ED*4X48L**	0.97	0.99	0.97	1.00	MV20L24**B*	ENH4X48*21**	0.96	1.00	0.97	1.04	*9MV*0802120A**						
ED*4X60J**	0.99	1.01	0.99	1.00	MV16J22**B*	ENH4X48*21**	0.95	0.98	0.97	1.04	*9MV*1002120A**						
ED*4X60L**	0.99	1.03	0.97	1.01	*8MV*1102120**	ENH4X48*21**	0.96	1.00	0.97	1.03	*9MV*1202422A**						
ED*4X60L**	0.99	1.01	0.97	1.00	*8MV*1352422**	ENH4X48*21**	0.97	1.09	0.96	1.05	*9MX*0801716A**						
ED*4X60L**	0.99	1.03	0.99	1.03	*8MX*0902116**	ENH4X48*21**	0.97	1.05	0.99	1.08	*9MX*0802120A**						
ED*4X60L**	0.99	1.03	0.99	1.03	*8MX*1102120**	ENH4X48*21**	0.97	1.03	0.99	1.06	*9MX*1002120A**						
ED*4X60L**	0.99	1.03	1.00	1.06	*8MX*1352420**	ENH4X48*21**	0.97	1.05	1.00	1.10	*9MX*1202422A**						
ED*4X60L**	0.99	1.03	0.97	1.03	*9MA*1202422A**	ENH4X48*21**	0.96	1.08	0.97	1.08	OLV112A16A						
ED*4X60L**	0.98	1.02	0.99	1.04	*9MV*1202422A**	ENH4X48*21**	0.97	1.03	0.99	1.04	OLV154F20A						
ED*4X60L**	0.99	1.03	1.00	1.09	*9MX*1202422A**	ENH4X48*21**	0.96	1.08	0.96	1.16							
ED*4X60L**	0.99	0.99	0.99	1.00	MV16J22**B*	ENH4X60*24**	0.98	1.02	0.97	1.01	*8MV*0901716**						
ED*4X60L**	0.99	0.99	0.99	1.00	MV20L24**B*	ENH4X60*24**	0.99	1.01	0.97	1.00	*8MV*1102120**						
ED*4X60L**	0.98	1.08	0.99	1.09	OLV112A16A	ENH4X60*24**	0.99	1.01	0.97	0.99	*8MV*1352422**						
ED*4X60L**	0.99	1.03	1.00	1.04	OLV154F20A	ENH4X60*24**	0.98	1.1	0.97	1.07	*8MX*0701716**						
ED*4X60L**	0.98	1.08	0.97	1.16		ENH4X60*24**	0.99	1.03	0.99	1.02	*8MX*0902116**						
EHD4X48A**	0.98	1.02	0.97	1.02	*8MV*0901716**	ENH4X60*24**	0.99	1.01	1.00	1.03	*8MX*1102120**						
EHD4X48A**	0.98	1.02	0.97	1.02	*8MV*1102120**	ENH4X60*24**	0.99	1.03	1.01	1.07	*8MX*1352420**						
EHD4X48A**	0.98	1.02	0.97	1.00	*8MV*1352422**	ENH4X60*24**	0.97	1.05	0.97	1.05	*9MA*0602120A**						
EHD4X48A**	0.96	1.11	0.97	1.08	*8MX*0701716**	ENH4X60*24**	0.98	1.02	0.97	1.02	*9MA*0802120A**						
EHD4X48A**	0.98	1.04	0.99	1.04	*8MX*0902116**	ENH4X60*24**	0.98	1.02	0.97	1.01	*9MA*1002122A**						
EHD4X48A**	0.97	1.01	1.01	1.11	*8MX*1102120**	ENH4X60*24**	0.98	1.02	0.97	1.02	*9MA*1202422A**						
EHD4X48A**	0.97	1.03	1.00	1.07	*8MX*1352420**	ENH4X60*24**	0.97	1.05	0.99	1.08	*9MV*0801716A**						
EHD4X48A**	0.96	1.04	0.97	1.06	*9MA*0602120A**	ENH4X60*24**	0.97	1.01	0.99	1.04	*9MV*0802120A**						
EHD4X48A**	0.97	1.03	0.97	1.03	*9MA*0802120A**	ENH4X60*24**	0.97	1.01	0.99	1.04	*9MV*1002120A**						

COOLING Multiplying Factors for other Indoor Combinations (continued)33

COOLING INDOOR MODEL	HIGH SPEED CAPACITY	POWER	LOW SPEED CAPACITY	POWER	FURNACE MODEL	COOLING INDOOR MODEL	HIGH SPEED CAPACITY	POWER	LOW SPEED CAPACITY	POWER	FURNACE MODEL	COOLING INDOOR MODEL	HIGH SPEED CAPACITY	POWER	LOW SPEED CAPACITY	POWER	FURNACE MODEL
EHD4X48A**	0.97	1.01	0.97	1.02	*9MA*1002122A**	ENH4X60*24**	0.98	1.02	0.99	1.03	*9MV*1202422A**	ENH4X60*24**	0.98	1.02	0.99	1.03	*9MV*1202422A**
EHD4X48A**	0.98	1.04	0.97	1.03	*9MA*1202422A**	ENH4X60*24**	0.99	1.07	0.97	1.06	*9MX*0801716A**	ENH4X60*24**	0.99	1.07	0.97	1.06	*9MX*0801716A**
EHD4X48A**	0.96	1.04	0.97	1.08	*9MV*0801716A**	ENH4X60*24**	0.99	1.03	1.00	1.08	*9MX*0802120A**	ENH4X60*24**	0.99	1.03	1.00	1.08	*9MX*0802120A**
EHD4X48A**	0.96	1.00	0.97	1.04	*9MV*0802120A**	ENH4X60*24**	0.99	1.03	1.00	1.06	*9MX*1002120A**	ENH4X60*24**	0.99	1.03	1.00	1.06	*9MX*1002120A**
EHD4X48A**	0.96	1.00	0.97	1.04	*9MV*1002120A**	ENH4X60*24**	0.99	1.03	1.00	1.09	*9MX*1202422A**	ENH4X60*24**	0.99	1.03	1.01	1.09	*9MX*1202422A**
EHD4X48A**	0.96	1.00	0.99	1.05	*9MV*1202422A**	ENH4X60*24**	0.99	0.99	1.00	1.00	MV16J22**B*	ENH4X60*24**	0.99	0.99	1.00	1.00	MV16J22**B*
EHD4X48A**	0.97	1.07	0.97	1.07	*9MX*0801716A**	ENH4X60*24**	0.99	0.99	1.00	1.00	*9MX*0802120A**	ENH4X60*24**	0.99	0.99	1.00	1.00	*9MX*0802120A**
EHD4X48A**	0.97	1.03	1.00	1.09	*9MX*0802120A**	ENH4X60*24**	0.98	1.08	0.99	1.08	OLV112A16A	ENH4X60*24**	0.98	1.08	0.99	1.08	OLV112A16A
EHD4X48A**	0.97	1.03	0.99	1.06	*9MX*1002120A**	ENH4X60*24**	0.99	1.03	1.00	1.03	OLV154F20A	ENH4X60*24**	0.99	1.03	1.00	1.03	OLV154F20A
EHD4X48A**	0.98	1.04	1.00	1.10	*9MX*1202422A**	ENH4X60*24**	0.98	1.08	0.97	1.16		ENH4X60*24**	0.98	1.08	0.97	1.16	
EHD4X48A**	0.98	1.00	0.99	1.00	MV16J22**B*	ENH4X61*24**	0.99	1.03	0.99	1.02	*8MV*0901716**	ENH4X61*24**	0.99	1.03	0.99	1.02	*8MV*0901716**
EHD4X48A**	0.98	1.00	0.99	1.01	MV20L24**B*	ENH4X61*24**	0.99	1.01	0.99	1.02	*8MV*1102120**	ENH4X61*24**	0.99	1.01	0.99	1.02	*8MV*1102120**
EHD4X48A**	0.97	1.09	0.99	1.10	OLV112A16A	ENH4X61*24**	1.00	1.02	0.99	1.01	*8MV*1352422**	ENH4X61*24**	1.00	1.02	0.99	1.01	*8MV*1352422**
EHD4X48A**	0.98	1.04	1.00	1.05	OLV154F20A	ENH4X61*24**	0.98	1.10	0.99	1.08	*8MX*0701716**	ENH4X61*24**	0.98	1.10	0.99	1.08	*8MX*0701716**
EHD4X48A**	0.97	1.07	0.97	1.16		ENH4X61*24**	0.99	1.03	0.99	1.02	*8MX*0902116**	ENH4X61*24**	0.99	1.03	0.99	1.02	*8MX*0902116**
EHD4X60A**	0.99	1.03	0.99	1.01	*8MV*0901716**	ENH4X61*24**	0.99	1.01	1.00	1.03	*8MX*1102120**	ENH4X61*24**	0.99	1.01	1.00	1.03	*8MX*1102120**
EHD4X60A**	0.99	1.01	0.99	1.01	*8MV*1102120**	ENH4X61*24**	0.99	1.03	1.01	1.07	*8MX*1352420**	ENH4X61*24**	0.99	1.03	1.01	1.07	*8MX*1352420**
EHD4X60A**	1.00	1.02	0.99	1.00	*8MV*1352422**	ENH4X61*24**	0.98	1.06	0.97	1.05	*9MA*0602120A**	ENH4X61*24**	0.98	1.06	0.97	1.05	*9MA*0602120A**
EHD4X60A**	0.98	1.10	0.99	1.07	*8MX*0701716**	ENH4X61*24**	0.98	1.02	0.97	1.02	*9MA*0802120A**	ENH4X61*24**	0.98	1.02	0.97	1.02	*9MA*0802120A**
EHD4X60A**	0.99	1.03	1.00	1.03	*8MX*0902116**	ENH4X61*24**	0.98	1.02	0.97	1.01	*9MA*1002122A**	ENH4X61*24**	0.98	1.02	0.97	1.01	*9MA*1002122A**
EHD4X60A**	0.99	1.01	1.00	1.02	*8MX*1102120**	ENH4X61*24**	0.99	1.03	0.97	1.02	*9MA*1202422A**	ENH4X61*24**	0.99	1.03	0.97	1.02	*9MA*1202422A**
EHD4X60A**	1.00	1.04	1.01	1.06	*8MX*1352420**	ENH4X61*24**	0.97	1.05	0.99	1.08	*9MV*0801716A**	ENH4X61*24**	0.97	1.05	0.99	1.08	*9MV*0801716A**
EHD4X60A**	0.98	1.04	0.97	1.04	*9MA*0602120A**	ENH4X61*24**	0.98	1.02	0.99	1.04	*9MV*0802120A**	ENH4X61*24**	0.98	1.02	0.99	1.04	*9MV*0802120A**
EHD4X60A**	0.98	1.02	0.99	1.02	*9MA*0802120A**	ENH4X61*24**	0.97	1.01	0.99	1.04	*9MV*1002120A**	ENH4X61*24**	0.97	1.01	0.99	1.04	*9MV*1002120A**

COOLING Multiplying Factors for other Indoor Combinations (continued)33

COOLING INDOOR MODEL	HIGH SPEED CAPACITY	POWER	LOW SPEED CAPACITY	FURNACE MODEL	COOLING INDOOR MODEL	HIGH SPEED CAPACITY	POWER	LOW SPEED CAPACITY	FURNACE MODEL	COOLING INDOOR MODEL	HIGH SPEED CAPACITY	POWER	LOW SPEED CAPACITY	FURNACE MODEL	
EHD4X60A**	0.98	1.00	0.99	*9MA*1002122A**	ENH4X61*24**	0.98	1.02	0.99	*9MV*1202422A**	ENH4X61*24**	0.98	1.02	0.99	*9MV*1202422A**	
EHD4X60A**	0.99	1.03	0.99	*9MA*1202422A**	ENH4X61*24**	0.99	1.07	0.97	*9MX*0801716A**	ENH4X61*24**	0.99	1.07	0.97	*9MX*0801716A**	
EHD4X60A**	0.98	1.06	0.99	*9MV*0801716A**	ENH4X61*24**	0.99	1.03	1.01	*9MX*0802120A**	ENH4X61*24**	0.99	1.03	1.01	*9MX*0802120A**	
EHD4X60A**	0.98	1.02	1.00	*9MV*0802120A**	ENH4X61*24**	0.99	1.03	1.00	*9MX*1002120A**	ENH4X61*24**	0.99	1.03	1.00	*9MX*1002120A**	
EHD4X60A**	0.98	1.02	0.99	*9MV*1002120A**	ENH4X61*24**	1.00	1.04	1.01	*9MX*1202422A**	ENH4X61*24**	1.00	1.04	1.01	*9MX*1202422A**	
EHD4X60A**	0.98	1.02	1.00	*9MV*1202422A**	ENH4X61*24**	1.00	1.00	1.00	MV16J22**B*	ENH4X61*24**	1.00	1.00	1.00	MV16J22**B*	
EHD4X60A**	0.99	1.07	0.99	*9MX*0801716A**	ENH4X61*24**	1.00	1.00	1.00	MV20L24**B*	ENH4X61*24**	1.00	1.00	1.00	MV20L24**B*	
EHD4X60A**	0.99	1.03	1.01	*9MX*0802120A**	ENH4X61*24**	0.99	1.10	1.00	OLV112A16A	ENH4X61*24**	0.99	1.10	1.00	OLV112A16A	
EHD4X60A**	0.99	1.03	1.01	*9MX*1002120A**	ENH4X61*24**	1.00	1.04	1.00	OLV154F20A	ENH4X61*24**	1.00	1.04	1.00	OLV154F20A	
EHD4X60A**	1.00	1.04	1.01	*9MX*1202422A**	ENH4X61*24**	0.98	1.06	0.97		ENH4X61*24**	0.98	1.06	0.97		
EHD4X60A**	1.00	1.00	1.00	MV16J22**B*	FCM4X48****	0.99	1.01	0.97		FCM4X48****	0.99	1.01	0.97		
EHD4X60A**	1.00	1.00	1.00	MV20L24**B*	FVM4X48****	0.99	1.01	0.99		FVM4X48****	0.99	1.01	0.99		
EHD4X60A**	0.99	1.07	1.00	OLV112A16A	FVM4X60****	1.00	1.00	1.00		FVM4X60****	1.00	1.00	1.00		
EHD4X60A**	1.00	1.04	1.00	OLV154F20A											
(C,H,T)CA9 60															
*FCM4X60****	1.00	1.00	1.00		EN(A,D)4X61*24**	0.98	1.02	0.99		EN(A,D)4X61*24**	0.98	1.02	0.99	*9MA*1202422A**	
EA*4X60*21A*	0.97	1.01	0.98	*8MV*1102120**	EN(A,D)4X61*24**	0.97	1.01	0.98		EN(A,D)4X61*24**	0.97	1.01	0.98	*9MV*0802120A**	
EA*4X60*21A*	0.97	1.01	0.99	*8MX*1102120**	EN(A,D)4X61*24**	0.97	1.01	0.98		EN(A,D)4X61*24**	0.97	1.01	0.98	*9MV*1002120A**	
EA*4X60*21A*	0.96	1.06	0.97	*9MA*0602120A**	EN(A,D)4X61*24**	0.98	1.02	0.99		EN(A,D)4X61*24**	0.98	1.02	0.99	*9MV*1202422A**	
EA*4X60*21A*	0.97	1.05	0.98	*9MA*0802120A**	EN(A,D)4X61*24**	0.98	1.02	1.00		EN(A,D)4X61*24**	0.98	1.02	1.00	*9MX*0802120A**	
EA*4X60*21A*	0.97	1.01	0.98	*9MA*1002122A**	EN(A,D)4X61*24**	0.99	1.06	1.00		EN(A,D)4X61*24**	0.99	1.06	1.00	*9MX*1002120A**	
EA*4X60*21A*	0.96	1.02	0.97	*9MV*0802120A**	EN(A,D)4X61*24**	0.99	1.03	0.99		EN(A,D)4X61*24**	0.99	1.03	0.99	*9MX*1202422A**	
EA*4X60*21A*	0.96	1.02	0.97	*9MV*1002120A**	EN(A,D)4X61*24**	1.00	1.02	1.01		EN(A,D)4X61*24**	1.00	1.02	1.01	MV16J22**B*	
EA*4X60*21A*	0.97	1.03	0.99	*9MX*0802120A**	EN(A,D)4X61*24**	1.00	1.02	1.01		EN(A,D)4X61*24**	1.00	1.02	1.01	MV20L24**B*	

COOLING Multiplying Factors for other Indoor Combinations (continued)33

COOLING INDOOR MODEL	HIGH SPEED CAPACITY	POWER	LOW SPEED CAPACITY	FURNACE MODEL	COOLING INDOOR MODEL	HIGH SPEED CAPACITY	POWER	LOW SPEED CAPACITY	FURNACE MODEL	COOLING INDOOR MODEL	HIGH SPEED CAPACITY	POWER	LOW SPEED CAPACITY	FURNACE MODEL
EA*4X60*21A*	0.97	1.06	0.99	*9MX*1002120A**	EN(A,D)4X61*24**	0.99	1.03	0.99	OLV154F20A					
EA*4X60*21A*	0.97	1.06	0.97		EN(A,D)4X61*24**	0.99	1.06	0.99						
EA*4X60*24A*	0.97	1.01	0.98	*8MV*1102120**	EN(A,D,W)4X60*24**	0.97	1.01	0.98	*8MV*1102120**					
EA*4X60*24A*	0.97	1.01	0.98	*8MV*1352422**	EN(A,D,W)4X60*24**	0.97	1.01	0.98	*8MV*1352422**					
EA*4X60*24A*	0.98	1.02	0.99	*8MX*1102120**	EN(A,D,W)4X60*24**	0.97	1.01	0.99	*8MX*1102120**					
EA*4X60*24A*	0.97	1.01	0.99	*8MX*1352420**	EN(A,D,W)4X60*24**	0.97	1.01	0.99	*8MX*1352420**					
EA*4X60*24A*	0.96	1.06	0.97	*9MA*0602120A**	EN(A,D,W)4X60*24**	0.96	1.06	0.97	*9MA*0602120A**					
EA*4X60*24A*	0.97	1.03	0.98	*9MA*0802120A**	EN(A,D,W)4X60*24**	0.97	1.03	0.98	*9MA*0802120A**					
EA*4X60*24A*	0.97	1.01	0.98	*9MA*1002122A**	EN(A,D,W)4X60*24**	0.97	1.00	0.98	*9MA*1002122A**					
EA*4X60*24A*	0.97	1.03	0.98	*9MA*1202422A**	EN(A,D,W)4X60*24**	0.97	1.03	0.98	*9MA*1202422A**					
EA*4X60*24A*	0.96	1.02	0.97	*9MV*0802120A**	EN(A,D,W)4X60*24**	0.96	1.02	0.97	*9MV*0802120A**					
EA*4X60*24A*	0.96	1.02	0.97	*9MV*1002120A**	EN(A,D,W)4X60*24**	0.96	1.02	0.97	*9MV*1002120A**					
EA*4X60*24A*	0.97	1.04	0.98	*9MV*1202422A**	EN(A,D,W)4X60*24**	0.97	1.00	0.98	*9MV*1202422A**					
EA*4X60*24A*	0.97	1.04	0.99	*9MX*0802120A**	EN(A,D,W)4X60*24**	0.97	1.03	0.99	*9MX*0802120A**					
EA*4X60*24A*	0.97	1.06	0.99	*9MX*1002120A**	EN(A,D,W)4X60*24**	0.97	1.06	0.99	*9MX*1002120A**					
EA*4X60*24A*	0.97	1.04	0.98	*9MX*1202422A**	EN(A,D,W)4X60*24**	0.97	1.04	0.98	*9MX*1202422A**					
EA*4X60*24A*	0.99	1.01	0.99	MV16J22**B*	EN(A,D,W)4X60*24**	0.98	1.01	0.99	MV16J22**B*					
EA*4X60*24A*	0.99	1.01	0.99	MV20L24**B*	EN(A,D,W)4X60*24**	0.98	1.01	0.99	MV20L24**B*					
EA*4X60*24A*	0.97	1.01	0.98	OLV154F20A	EN(A,D,W)4X60*24**	0.97	1.01	0.98	OLV154F20A					
EA*4X60*24A*	0.97	1.06	0.97		EN(A,D,W)4X60*24**	0.97	1.06	0.98						
ED*4X60J**	0.99	1.01	0.99	MV16J22**B*	ENH4X60*24**	0.97	1.01	0.98	*8MV*1102120**					
ED*4X60L**	0.97	1.01	0.98	*8MV*1102120**	ENH4X60*24**	0.97	1.01	0.98	*8MV*1352422**					
ED*4X60L**	0.97	1.01	0.98	*8MV*1352422**	ENH4X60*24**	0.97	1.01	0.99	*8MX*1102120**					
ED*4X60L**	0.98	1.02	0.99	*8MX*1102120**	ENH4X60*24**	0.97	1.01	0.99	*8MX*1352420**					

COOLING Multiplying Factors for other Indoor Combinations (continued)33

COOLING INDOOR MODEL	HIGH SPEED CAPACITY	POWER	LOW SPEED CAPACITY	POWER	FURNACE MODEL	COOLING INDOOR MODEL	HIGH SPEED CAPACITY	POWER	LOW SPEED CAPACITY	POWER	FURNACE MODEL	COOLING INDOOR MODEL	HIGH SPEED CAPACITY	POWER	LOW SPEED CAPACITY	POWER	FURNACE MODEL
ED*4X60L**	0.97	1.01	0.99	1.06	*8MX*1352420**	ENH4X60*24**	0.96	1.06	0.97	1.06	*9MA*0602120A**	ENH4X60*24**	0.96	1.06	0.97	1.06	*9MA*0602120A**
ED*4X60L**	0.97	1.03	0.98	1.03	*9MA*1202422A**	ENH4X60*24**	0.97	1.03	0.98	1.03	*9MA*0802120A**	ENH4X60*24**	0.97	1.03	0.98	1.03	*9MA*0802120A**
ED*4X60L**	0.97	1.04	0.98	1.03	*9MV*1202422A**	ENH4X60*24**	0.97	1.00	0.98	1.02	*9MA*1002120A**	ENH4X60*24**	0.97	1.00	0.98	1.02	*9MA*1002120A**
ED*4X60L**	0.97	1.04	0.98	1.03	*9MX*1202422A**	ENH4X60*24**	0.97	1.03	0.98	1.03	*9MA*1202422A**	ENH4X60*24**	0.97	1.03	0.98	1.03	*9MA*1202422A**
ED*4X60L**	0.99	1.01	0.99	1.00	MV16J22**B*	ENH4X60*24**	0.96	1.02	0.97	1.02	*9MV*0802120A**	ENH4X60*24**	0.96	1.02	0.97	1.02	*9MV*0802120A**
ED*4X60L**	0.99	1.01	0.99	1.00	MV20L24**B*	ENH4X60*24**	0.96	1.02	0.97	1.02	*9MV*1002120A**	ENH4X60*24**	0.96	1.02	0.97	1.02	*9MV*1002120A**
ED*4X60L**	0.97	1.01	0.98	1.02	OLV154F20A	ENH4X60*24**	0.97	1.00	0.98	1.00	*9MV*1202422A**	ENH4X60*24**	0.97	1.00	0.98	1.03	*9MV*1202422A**
ED*4X60L**	0.97	1.06	0.97	1.13		ENH4X60*24**	0.97	1.03	0.99	1.07	*9MX*0802120A**	ENH4X60*24**	0.97	1.03	0.99	1.07	*9MX*0802120A**
EHD4X60A**	0.97	1.01	0.99	1.01	*8MV*1102120**	ENH4X60*24**	0.97	1.06	0.99	1.06	*9MX*1002120A**	ENH4X60*24**	0.97	1.06	0.99	1.06	*9MX*1002120A**
EHD4X60A**	0.98	1.01	0.99	1.00	*8MV*1352422**	ENH4X60*24**	0.97	1.04	0.98	1.04	*9MX*1202422A**	ENH4X60*24**	0.97	1.04	0.98	1.03	*9MX*1202422A**
EHD4X60A**	0.98	1.02	1.00	1.03	*8MX*1102120**	ENH4X60*24**	0.98	1.01	1.00	1.01	MV16J22**B*	ENH4X60*24**	0.98	1.01	0.99	1.00	MV16J22**B*
EHD4X60A**	0.98	1.02	1.00	1.05	*8MX*1352420**	ENH4X60*24**	0.98	1.01	1.00	0.99	*8MV*1352420**	ENH4X60*24**	0.98	1.01	0.99	0.99	*8MV*1352420**
EHD4X60A**	0.97	1.07	0.98	1.07	*9MA*0602120A**	ENH4X60*24**	0.97	1.01	0.98	1.01	*9MA*0602120A	ENH4X60*24**	0.97	1.01	0.98	1.01	*9MA*0602120A
EHD4X60A**	0.97	1.04	0.98	1.03	*9MA*0802120A**	ENH4X60*24**	0.97	1.06	0.98	1.06		ENH4X60*24**	0.97	1.06	0.98	1.14	
EHD4X60A**	0.97	1.01	0.98	1.01	*9MA*1002122A**	ENH4X61*24**	0.97	1.01	0.98	1.01	*8MV*1102120**	ENH4X61*24**	0.97	1.01	0.98	1.02	*8MV*1102120**
EHD4X60A**	0.97	1.01	0.98	1.02	*9MA*1202422A**	ENH4X61*24**	0.98	1.02	0.98	1.02	*8MV*1352422**	ENH4X61*24**	0.98	1.02	0.98	1.00	*8MV*1352422**
EHD4X60A**	0.97	1.03	0.98	1.02	*9MV*0802120A**	ENH4X61*24**	0.98	1.02	0.98	1.02	*8MX*1102120**	ENH4X61*24**	0.98	1.02	0.99	1.03	*8MX*1102120**
EHD4X60A**	0.97	1.00	0.98	1.02	*9MV*1002120A**	ENH4X61*24**	0.99	1.10	1.00	1.10	*8MX*1352420**	ENH4X61*24**	0.99	1.10	1.00	1.06	*8MX*1352420**
EHD4X60A**	0.97	1.03	0.98	1.02	*9MV*1202422A**	ENH4X61*24**	0.97	1.07	0.98	1.07	*9MA*0602120A**	ENH4X61*24**	0.97	1.07	0.97	1.07	*9MA*0602120A**
EHD4X60A**	0.97	1.04	0.99	1.07	*9MX*0802120A**	ENH4X61*24**	0.97	1.04	0.99	1.04	*9MA*0802120A**	ENH4X61*24**	0.97	1.04	0.98	1.03	*9MA*0802120A**
EHD4X60A**	0.98	1.05	1.00	1.06	*9MX*1002120A**	ENH4X61*24**	0.97	1.01	1.00	1.01	*9MA*1002120A**	ENH4X61*24**	0.97	1.01	0.98	1.02	*9MA*1002120A**
EHD4X60A**	0.98	1.02	0.99	1.03	*9MX*1202422A**	ENH4X61*24**	0.97	1.04	0.99	1.04	*9MA*1202422A**	ENH4X61*24**	0.97	1.04	0.98	1.03	*9MA*1202422A**
EHD4X60A**	0.99	1.01	1.00	1.00	MV16J22**B*	ENH4X61*24**	0.97	1.03	1.00	1.03	*9MV*0802120A**	ENH4X61*24**	0.97	1.03	0.97	1.02	*9MV*0802120A**
EHD4X60A**	0.99	1.01	1.00	1.00	MV20L24**B*	ENH4X61*24**	0.97	1.00	1.00	1.00	*9MV*1002120A**	ENH4X61*24**	0.97	1.00	0.97	1.01	*9MV*1002120A**

COOLING Multiplying Factors for other Indoor Combinations (continued)33

COOLING INDOOR MODEL	HIGH SPEED CAPACITY	POWER	LOW SPEED CAPACITY	POWER	FURNACE MODEL	COOLING INDOOR MODEL	HIGH SPEED CAPACITY	POWER	LOW SPEED CAPACITY	POWER	FURNACE MODEL
EHD4X60A**	0.98	1.02	0.99	1.02	OLV154F20A	ENH4X61*24**	0.97	1.03	0.98	1.03	*9MV*1202422A**
EHD4X60A**	0.98	1.06	0.98	1.13		ENH4X61*24**	0.97	1.04	0.99	1.07	*9MX*0802120A**
EN(A,D)4X61*24**	0.98	1.02	0.99	1.01	*8MV*1102120**	ENH4X61*24**	0.98	1.05	0.99	1.06	*9MX*1002120A**
EN(A,D)4X61*24**	0.99	0.99	0.99	0.99	*8MV*1352422**	ENH4X61*24**	0.98	1.05	0.98	1.03	*9MX*1202422A**
EN(A,D)4X61*24**	0.99	1.03	1.01	1.04	*8MX*1102120**	ENH4X61*24**	0.99	1.01	1.00	1.01	MV16J22**B*
EN(A,D)4X61*24**	0.99	1.03	1.01	1.06	*8MX*1352420**	ENH4X61*24**	0.99	1.01	1.00	1.01	MV20L24**B*
EN(A,D)4X61*24**	0.97	1.08	0.98	1.06	*9MA*0602120A**	ENH4X61*24**	0.98	1.02	0.99	1.03	OLV154F20A
EN(A,D)4X61*24**	0.98	1.02	0.99	1.02	*9MA*0802120A**	ENH4X61*24**	0.98	1.06	0.98	1.13	
EN(A,D)4X61*24**	0.98	1.02	0.99	1.01	*9MA*1002122A**	FVM4X60****	1.00	1.00	1.00	1.00	

PHYSICAL DATA

Model Size	24	36	48	60
Nominal Cooling Capacity (BTU/hr)	24,000	36,000	48,000	60,000
SEER Rating‡	19.0	19.0	18.0	16.7
Sound Rating**, High Stage (dBA) Low Stage (dBA)	74	74	74	73
	68	66	69	70
ECM Fan Motor HP	1/5	1/5	1/5	1/5
Fan RPM - Max. Fan RPM - Min.	752 628	689 582	765 659	828 742
Fan CFM - Max. Fan CFM - Min.	3637 3040	3700 3124	4309 3703	4668 4209
Coil Face Area ft ² (m ²)	30.14	30.14	30.14	30.14
Coil Rows - fins per inch	2-20	2-20	2-20	2-20
Low Pressure Switch	Open Pressure	50 ± 7 PSIG	50 ± 7 PSIG	50 ± 7 PSIG
	Close Pressure	95 ± 7 PSIG	95 ± 7 PSIG	95 ± 7 PSIG
Hi Pressure Switch	Open Pressure	670 ± 10 PSIG	670 ± 10 PSIG	670 ± 10 PSIG
	Close Pressure	470 ± 25 PSIG	470 ± 25 PSIG	470 ± 25 PSIG
Liquid Line Connection Size in. (mm)	3/8 (10)	3/8 (10)	3/8 (10)	3/8 (10)
Vapor Line Connection Size in. (mm)	7/8 (22)	7/8 (22)	7/8 (22)	7/8 (22)
Recommended Line Set Liquid Tube Diameter in. (mm)	3/8 (10)	3/8 (10)	3/8 (10)	3/8 (10)
Recommended Line Set Vapor Tube Diameter in. (mm)*	7/8 (22)*	7/8 (22)*	1-1/8 (29)*	1-1/8 (29)*
* Recommended Vapor Tube Line size is for standard installations. These recommendations may not apply to "Long Line" installations. When the total equivalent line length exceeds 80 feet (24.4m) or there is more than 20 feet (6.1m) vertical separation between indoor and outdoor units, consult the Long Line Application Guideline document before purchasing/ installing line sets.				
Factory Charge R-410A lbs. (kg)	14.45 (6.55)	13.83 (6.27)	14.45 (6.55)	14.83 (6.73)
Required Subcooling °F (°C)	9 (5)	10 (6)	14 (8)	16 (9)

ELECTRICAL DATA (208/230-1-60, voltage range 197V - 253V)

Model Size	24	36	48	60
Minimum Circuit Ampacity - MCA (amps)	14.3	22.6	28.4	30.7
Maximum OverCurrent Protective device - MOCP (amps)	20	35	40	50
Compressor RLA (Rated Load Amps) LRA (Locked Rotor Amps)	10.3	16.7	21.2	23.0
	52	82	96	118
Fan Motor FLA (Full Load Amps)	1.4	1.7	1.9	1.9

‡ Highest sales volume tested combination.

**Sound Rating tested in accordance with AHRI Standard 270-95 (not listed with AHRI).

R-410A COOLING CAPACITY LOSS FOR VARIOUS LINE LENGTHS & TUBE DIAMETERS											
Unit Nominal Size (Btuh)	Maximum Liquid Line Diameter (OD) in.(mm)	Vapor Line Diameters (OD) in. (mm)	Cooling Capacity Loss (%) at Total Equivalent Line Length, feet (m)								
			26-50 (7.9-15.2)	51-80 (15.5-24.4)	81-100 (24.7-30.5)	101-125 (30.8-38.1)	126-150 (38.4-45.7)	151-175 (46.0-50.3)	176-200 (53.6-60.0)	201-225 (61.3-68.6)	226-250 (68.9-76.2)
24 2-Stage AC	3/8 (10)	5/8 (16)	0	1	1	2	3	3	4	4	5
		3/4 (19)	0	0	0	0	1	1	1	1	1
		7/8 (22)	0	0	-	-	-	-	-	-	-
36 2-Stage AC		5/8 (16)	1	2	4	5	6	7	9	10	11
		3/4 (19)	0	0	1	1	2	2	3	3	4
		7/8 (22)	0	0	0	0	1	1	1	1	2
48 2-Stage AC		3/4 (19)	1	2	2	3	4	5	6	7	7
		7/8 (22)	0	1	1	2	2	2	3	3	3
		1-1/8 (29)	0	0	-	-	-	-	-	-	-
60 2-Stage AC		3/4 (19)	1	2	4	5	6	7	9	10	10
		7/8 (22)	0	1	2	2	2	3	4	4	5
		1-1/8 (29)	0	0	0	0	1	1	1	1	1

Applications in shaded area may be long line and may have height restrictions. See the AC & HP R410A Split System Long Line Applications Guideline.

- Applications in this area are not recommended due to insufficient oil return.

ACCESSORY USAGE GUIDELINES		
Accessory	REQUIRED FOR LONG LINE APPLICATIONS* (Over 80 ft. / 24.38 m)	Required for Sea Coast Application (within 2 miles/3.22 km)
Crankcase Heater	Yes, standard	No
Compressor Start Assist Capacitor and Relay	Yes	No
Liquid Line Solenoid Valve	See Long Line Applications Guideline	No
Support Feet	No	Recommended

* For Line Set lengths between 80 and 200 ft (24.4 and 61m) horizontal, or more than 20 ft (6.1m) indoor-outdoor vertical separation, refer to the Long Line Application Guideline document.

ACCESSORIES		
Part Number	Description	Used On Model Size
NASA401LS	Liquid Line Solenoid Valve, R-410A	ALL
NASA001TD	Time Delay Relay, Indoor Blower	ALL
NASA001SF	Support Feet, 4" (102mm) tall	ALL
NASA010SC	Hard Start Kit (Capacitor & Relay)	24
NASA011SC	Hard Start Kit (Capacitor & Relay)	36
NASA012SC	Hard Start Kit (Capacitor & Relay)	48
NASA013SC	Hard Start Kit (Capacitor & Relay)	60
WALL CONTROL		
TSTAT0101SC	Observer™ Self Configuring Communicating Wall Control	ALL

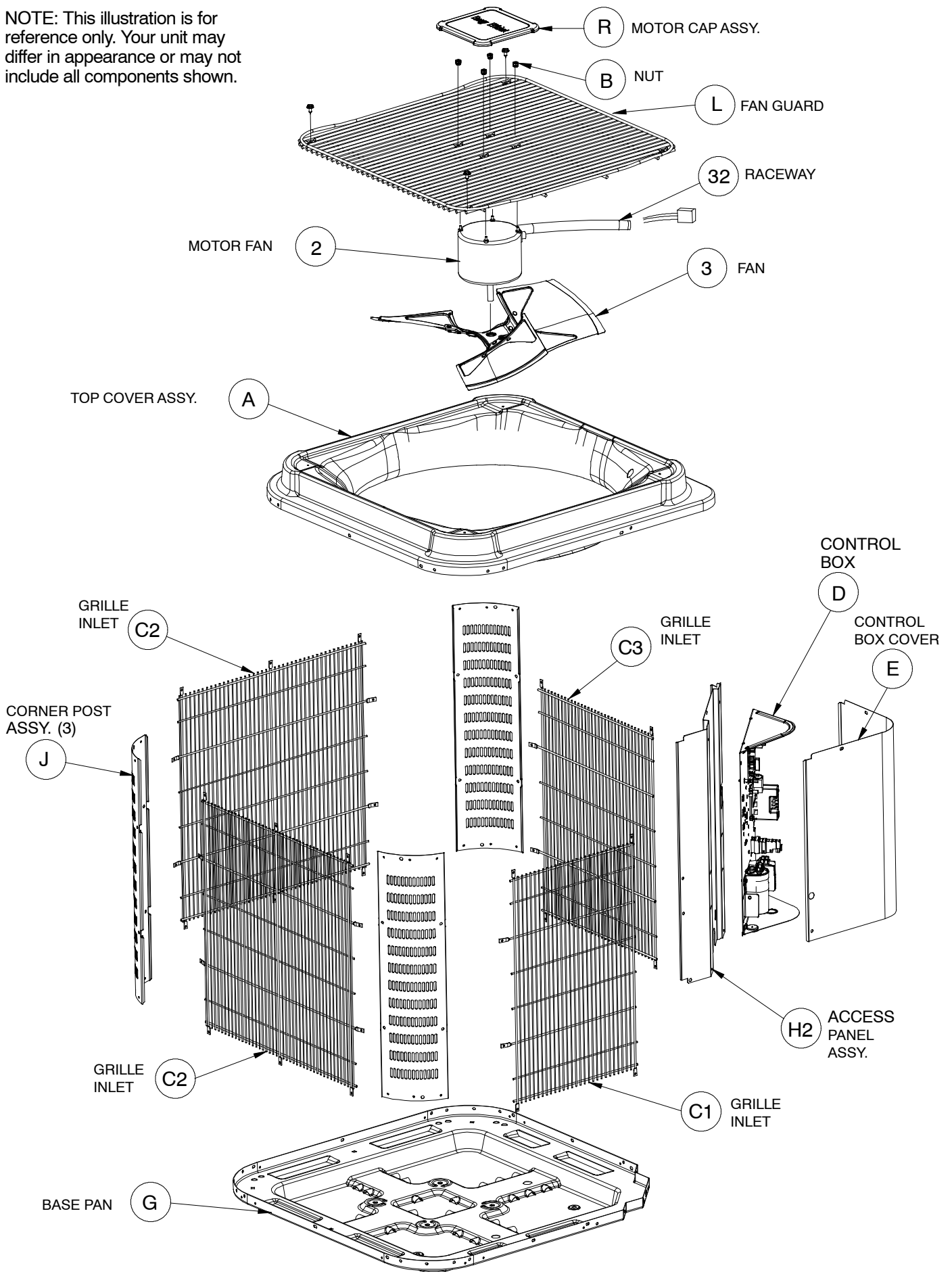
(C,H,T)CA9 PARTS LIST

KEY NO.	DESCRIPTION	PART NO.	(C,H,T)CA9 PARTS LIST											
			CCA924GKA100	CCA936GKA100	CCA948GKA100	CCA960GKA100	HCA924GKA100	HCA936GKA100	HCA948GKA100	HCA960GKA100	TCA924GKA100	TCA936GKA100	TCA948GKA100	TCA960GKA100
01	COMP ZPS20K4EPFV130	ZPS20K4EPFV130	1	-	-	-	1	-	-	-	1	-	-	-
01	COMP ZPS30K4EPFV130	ZPS30K4EPFV130	-	1	-	-	-	1	-	-	-	1	-	-
01	COMP ZPS40K4EPFV130	ZPS40K4EPFV130	-	-	1	-	-	-	1	-	-	-	1	-
01	COMP ZPS49K4EPFV130	ZPS49K4EPFV130	-	-	-	1	-	-	-	1	-	-	-	1
02	MOTOR BLR ECM	1184960	1	1	1	1	1	1	1	1	1	1	1	1
03	FAN C 26" 3B 1/2" 21 INT	1173661	1	-	-	-	1	-	-	-	1	-	-	-
03	FAN C 26" 3B 1/2" 24 INT	1172716	-	1	-	-	-	1	-	-	-	1	-	-
03	BLADE FAN 26" 3B 1/2"B	1185042	-	-	1	1	-	-	1	1	-	-	1	1
04	CONTACTOR 1P 30A 24V W/SHUNT	1172472	1	1	1	-	1	1	1	-	1	1	1	-
04	CONTACTOR 1P 40A	1176763	-	-	-	1	-	-	-	1	-	-	-	1
05	CAPACITOR 35 440V	1185067	1	-	-	-	1	-	-	-	1	-	-	-
05	CAPACITOR 40 440V	1185068	-	1	-	-	-	1	-	-	-	1	-	-
05	CAPACITOR 45 440V	1185069	-	-	1	-	-	-	1	-	-	-	1	-
05	CAPACITOR 80 370V	1185070	-	-	-	1	-	-	-	1	-	-	-	1
06	COIL ASY COND	1185062	1	1	1	1	1	1	1	1	1	1	1	1
07	VALVE SVC PARK SUC 14S-14S	1172727	1	1	1	1	1	1	1	1	1	1	1	1
08	VALVE SVC PARK LIQ 06S-06S	1172792	1	1	1	1	1	1	1	1	1	1	1	1
09	PLUG COMP WIRE (SM) 12GAx54"	1172793	1	1	-	-	1	1	-	-	1	1	-	-
09	PLUG COMP WIRE (SM) 10GAx54"	1172732	-	-	1	1	-	-	1	1	-	-	1	1
10	ISOLATOR VIBRATION	1172271	4	4	4	4	4	4	4	4	4	4	4	4
11	NUT HEX WASHER FACE 5/16-18	1174289	4	4	4	4	4	4	4	4	4	4	4	4
12	TRANS 208/230>24 40VA	1170676	1	1	1	1	1	1	1	1	1	1	1	1
13	PLUG MODEL	1185072	1	-	-	-	1	-	-	-	1	-	-	-
13	PLUG MODEL	1185073	-	1	-	-	-	1	-	-	-	1	-	-
13	PLUG MODEL	1185074	-	-	1	-	-	-	1	-	-	-	1	-
13	PLUG MODEL	1185075	-	-	-	1	-	-	-	1	-	-	-	1
17	SWITCH ASY LO PRESSURE	1184613	1	1	1	1	1	1	1	1	1	1	1	1
19	PRESSURE SWITCH HI	1184656	1	1	1	1	1	1	1	1	1	1	1	1
20	DISTRUBITOR ASSY	1177832	1	1	1	1	1	1	1	1	1	1	1	1
22	THERMISTOR ASY	1184605	1	1	1	1	1	1	1	1	1	1	1	1
24	FILTER DRIER ASY	1184615	1	1	1	1	1	1	1	1	1	1	1	1
26	BOARD CIRCUIT	1184935	1	1	1	1	1	1	1	1	1	1	1	1
27	JACKET SOUND	1172014	1	1	1	1	1	1	1	1	1	1	1	1
32	RACEWAY	1173664	1	1	1	1	1	1	1	1	1	1	1	1
33	LUG GROUND	1172300	1	1	1	1	1	1	1	1	1	1	1	1
34	HARNESS ASY	1184937	1	1	1	1	1	1	1	1	1	1	1	1
35	HEATER CRANKCASE	1185011	1	1	1	-	1	1	1	-	1	1	1	-
35	HEATER CRANKCASE	1185012	-	-	-	1	-	-	-	1	-	-	-	1
37	HARNESS ASY COMPR SOLENOID	1184938	1	1	1	1	1	1	1	1	1	1	1	1
42	HARNESS ASY	1184936	1	1	1	1	1	1	1	1	1	1	1	1
A	TOP COVER ASY	1183317	1	1	1	1	-	-	-	-	1	1	1	1

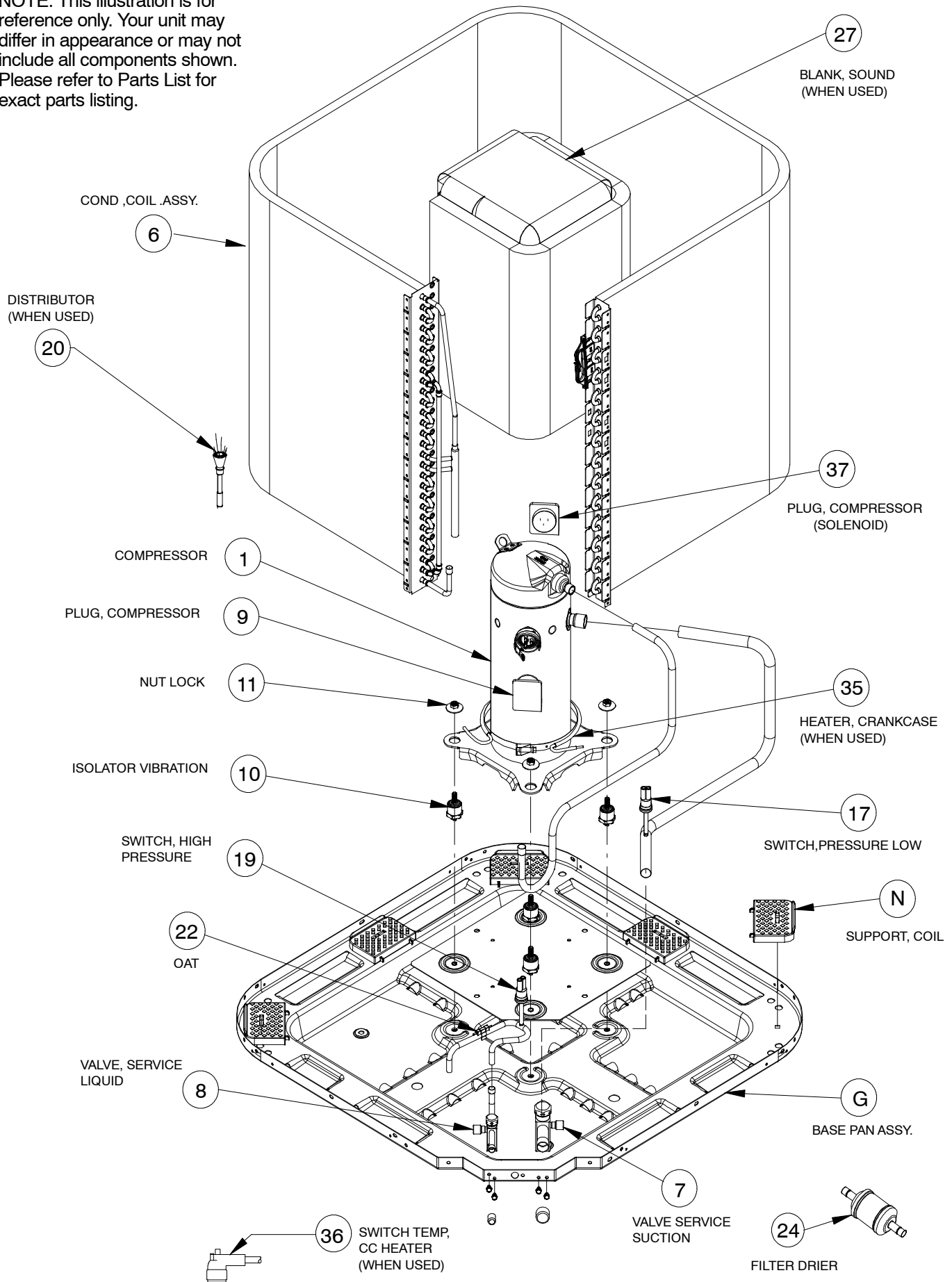
(C,H,T)CA9 PARTS LIST

KEY NO.	DESCRIPTION	PART NO.												
			CCA924GKA100	CCA936GKA100	CCA948GKA100	CCA960GKA100	HCA924GKA100	HCA936GKA100	HCA948GKA100	HCA960GKA100	TCA924GKA100	TCA936GKA100	TCA948GKA100	TCA960GKA100
A	TOP COVER ASSY	1178327	-	-	-	-	1	1	1	1	-	-	-	-
B	NUT HEX 8-32 KNURL MTR MTG	1172217	4	4	4	4	4	4	4	4	4	4	4	4
C1	GRILLE INLET	1178698	1	1	1	1	-	-	-	-	-	-	-	-
C1	GRILLE INLET	1178807	-	-	-	-	1	1	1	1	-	-	-	-
C1	GRILLE INLET	1178809	-	-	-	-	-	-	-	-	1	1	1	1
C2	GRILLE INLET	1178699	2	2	2	2	-	-	-	-	-	-	-	-
C2	GRILLE INLET HEIL	1175799	-	-	-	-	2	2	2	2	-	-	-	-
C2	GRILLE INLET	1176717	-	-	-	-	-	-	-	-	2	2	2	2
C3	GRILLE INLET	1178700	1	1	1	1	-	-	-	-	-	-	-	-
C3	GRILLE INLET	1178808	-	-	-	-	1	1	1	1	-	-	-	-
C3	GRILLE INLET	1178810	-	-	-	-	-	-	-	-	1	1	1	1
D	BOX CONTROL	1184617	1	1	1	1	1	1	1	1	1	1	1	1
E	KIT CONTROL BOX COVER	1185063	1	-	-	-	1	-	-	-	1	-	-	-
E	KIT CONTROL BOX COVER	1185064	-	1	-	-	-	1	-	-	-	1	-	-
E	KIT CONTROL BOX COVER	1185065	-	-	1	-	-	-	1	-	-	-	1	-
E	KIT CONTROL BOX COVER	1185066	-	-	-	1	-	-	-	1	-	-	-	1
F	PANEL SERVICE	1178696	1	1	1	1	1	1	1	1	1	1	1	1
G	BASE PAN ASSY	1178309	1	1	1	1	1	1	1	1	1	1	1	1
J	CORNER POST ASY	1178697	3	3	3	3	-	-	-	-	-	-	-	-
J	POST ASY CORNER	1178805	-	-	-	-	3	3	3	3	-	-	-	-
J	POST ASY CORNER	1178806	-	-	-	-	-	-	-	-	3	3	3	3
L	GUARD FAN	1178573	1	1	1	1	-	-	-	-	-	-	-	-
L	GUARD FAN	1174032	-	-	-	-	1	1	1	1	-	-	-	-
L	FAN GUARD	1177572	-	-	-	-	-	-	-	-	1	1	1	1
N	SUPPORT COIL	1174068	5	5	5	5	5	5	5	5	5	5	5	5
P	CLAMP CAPACITOR ROUND 2.5"D	1172735	1	1	-	1	1	1	-	1	1	1	-	1
P	CLAMP CAPACITOR ROUND 2.0"D	1172734	-	-	1	-	-	-	1	-	-	-	1	-
R	MOTOR CAP ASSY COMF	1175140	1	1	1	1	-	-	-	-	-	-	-	-
R	MOTOR CAP ASSY HEIL	1175157	-	-	-	-	1	1	1	1	-	-	-	-
R	MOTOR CAP ASSY TEMP	1175158	-	-	-	-	-	-	-	-	1	1	1	1
Parts Not Shown														
)	CAP SERVICE KIT 11/16-20	1175650	1	1	1	1	1	1	1	1	1	1	1	1
)	CAP SERVICE KIT 1-1/16-20	1175652	1	1	1	1	1	1	1	1	1	1	1	1
)	DRIER FILTER SUCT LINE 15.0 CI	1174193	1	1	1	1	1	1	1	1	1	1	1	1
)	PAINT TOUCH UP BALTIC GRY 1 PT	1178322	1	1	1	1	1	1	1	1	1	1	1	1

NOTE: This illustration is for reference only. Your unit may differ in appearance or may not include all components shown.

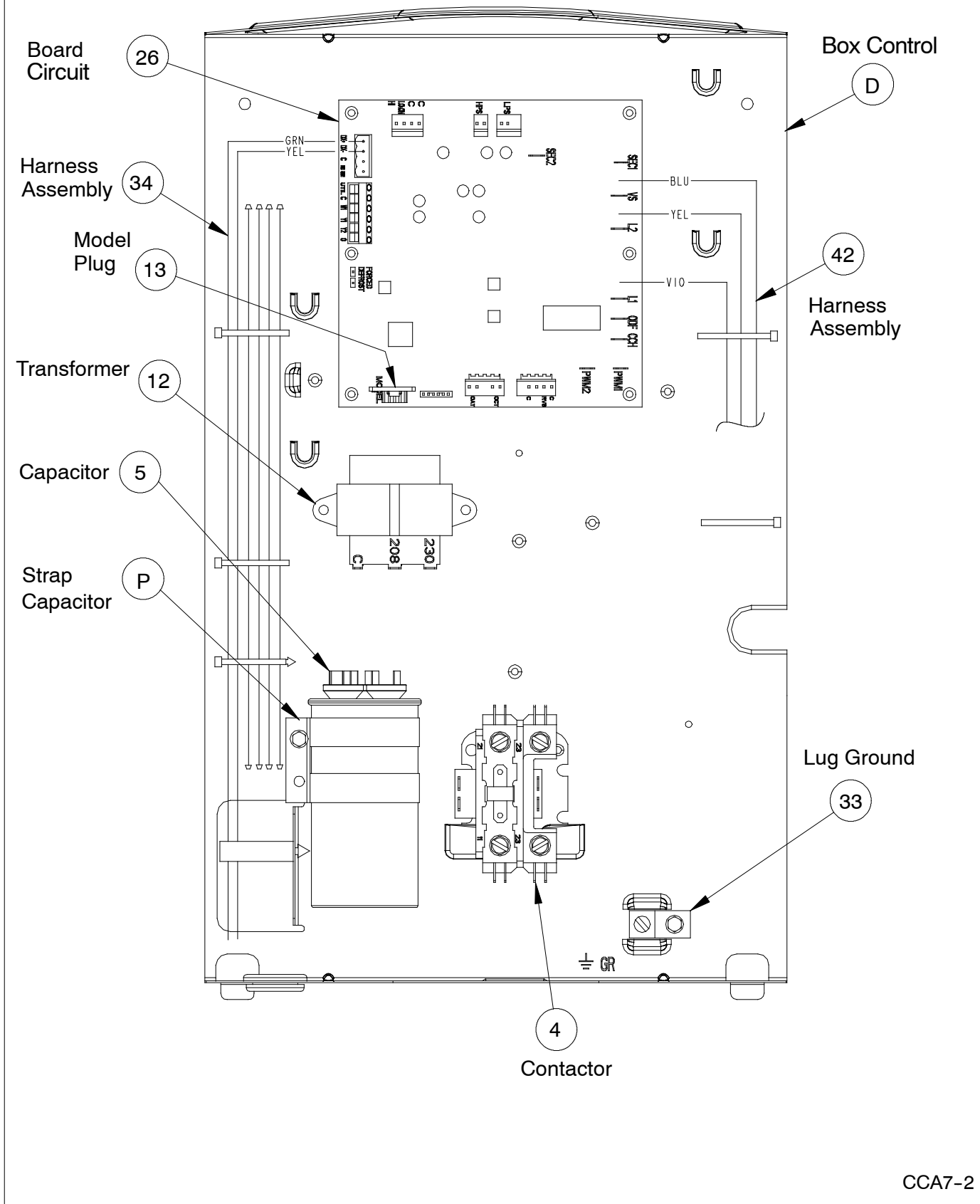


NOTE: This illustration is for reference only. Your unit may differ in appearance or may not include all components shown. Please refer to Parts List for exact parts listing.



CCA7-1

NOTE: This illustration is for reference only. Your unit may differ in appearance or may not include all components shown.



CCA7-2